

Coaxial RF Termination

DC-40 GHz, 2.92mm Male, 2 Watts



Electrical

Impedance	50 ohm
Frequency Range	DC-40 GHz
VSWR	1.2 max
Input Avg Power	2W@25°C ambient, derating linearly to 0.5W at 100°C
Peak Power	200W (5 micro-sec pulse width, 1% duty cycle)

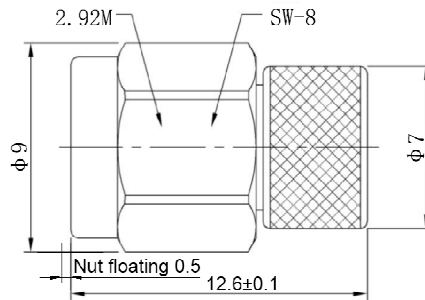
Mechanical

Connector Body	Passivated stainless steel
Center Contact	1.27um gold plated brass
Weight	Approx 5g

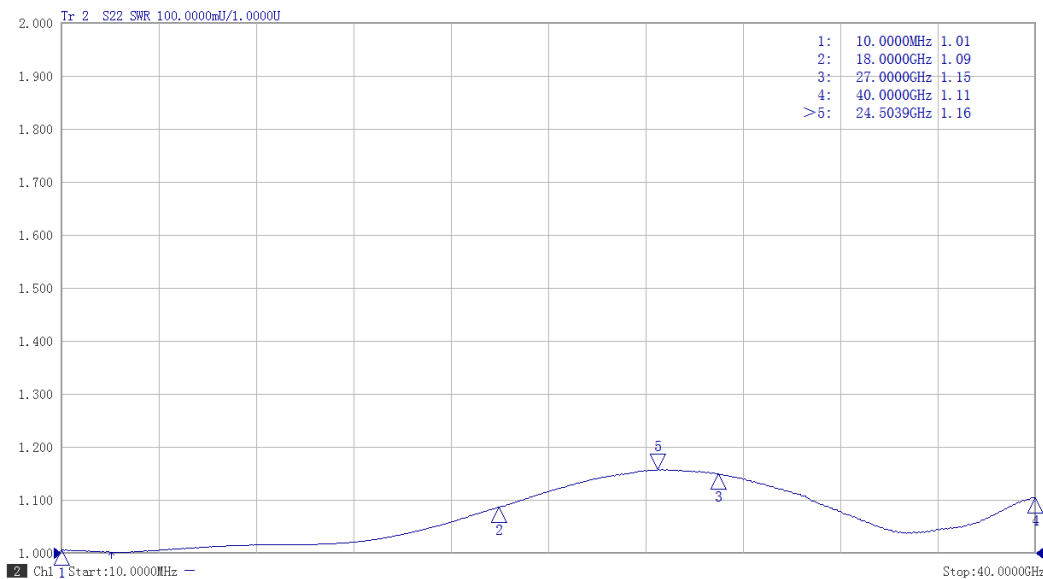
Environmental

Operating Temp	-55°C to 100°C
Storage Temp	-55°C to 125°C
RoHS	Compliant

Dimensions(mm)



Typical Test Data



Notes

1. Customized outlines and optimal VSWR available.