

Coaxial RF Termination

TRF5010242

DC-50 GHz, 2.4mm Male, 10 Watts



Electrical

| | |
|------------------------|--|
| Impedance | 50 ohm |
| Frequency Range | DC-50 GHz |
| VSWR | 1.3 max |
| Input Avg Power | 10W@25°C ambient, derating linearly to 1W at 100°C |
| Peak Power | 100W (5 micro-sec pulse width, 4% duty cycle) |

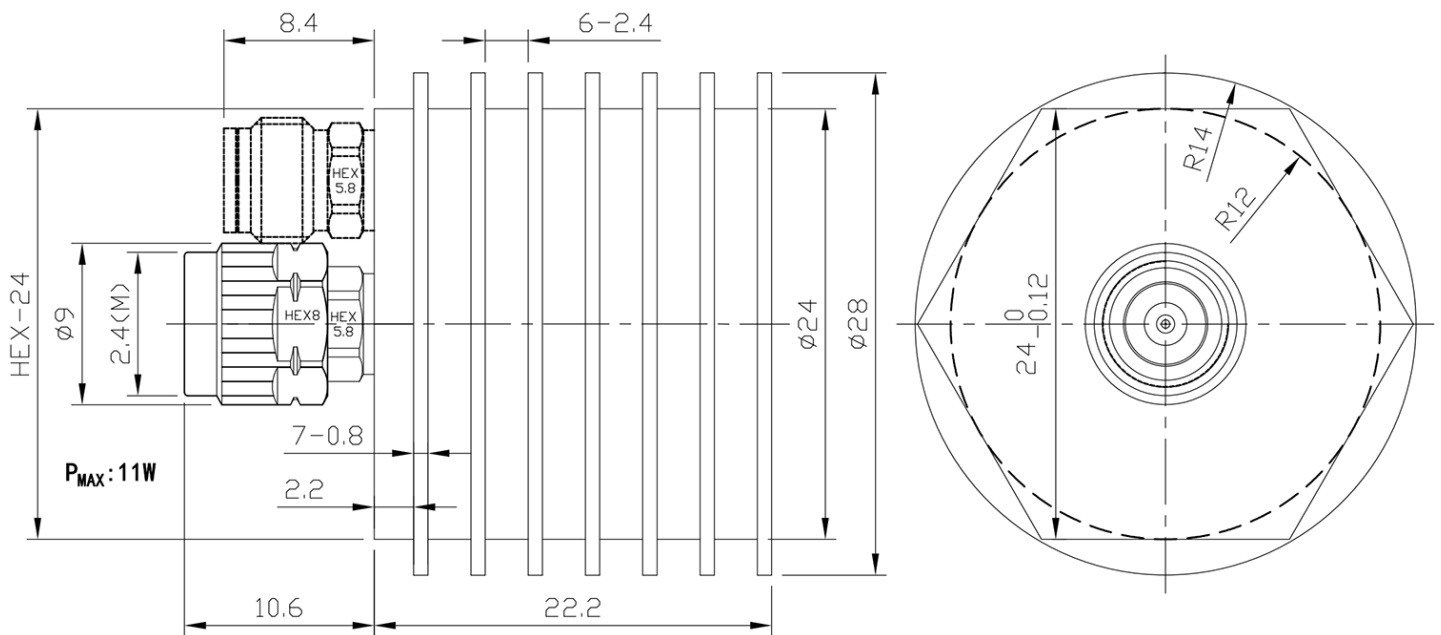
Mechanical

| | |
|-----------------------|----------------------------|
| Connector Body | Passivated stainless steel |
| Center Contact | 1.27um gold plated BeCu |
| Heat Sink | Black anodized aluminum |

Environmental

| | |
|-----------------------|----------------|
| Operating Temp | -55°C to 100°C |
| Storage Temp | -55°C to 125°C |
| RoHS | Compliant |

Dimensions(mm)



Typical Test Data

