



Coaxial RF Termination

TRF5035241

DC-50 GHz, 2.4mm Female, 35 Watts

Electrical

Impedance	50 ohm
Frequency Range	DC-50 GHz
VSWR	1.38 max
Input Avg Power	35W@25°C ambient, derating linearly to 3.5W at 100°C
Peak Power	100W (5 micro-sec pulse width, 10% duty cycle)

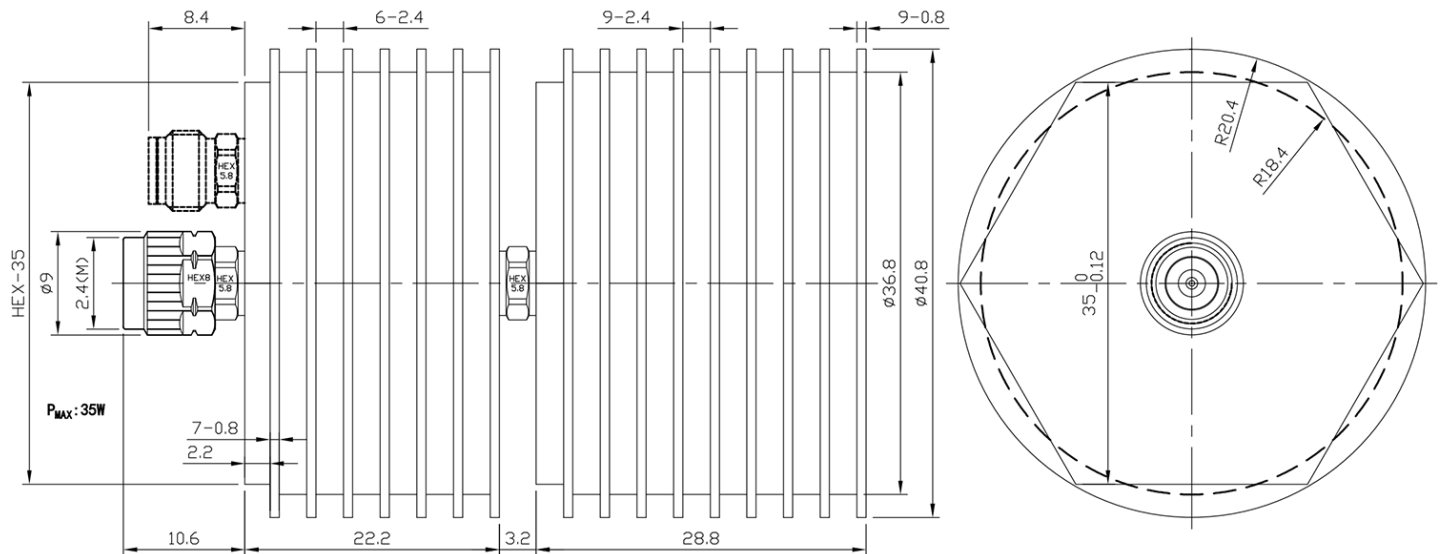
Mechanical

Connector Body	Passivated stainless steel
Center Contact	1.27um gold plated BeCu
Heat Sink	Black anodized aluminum

Environmental

Operating Temp	-55°C to 100°C
Storage Temp	-55°C to 125°C
RoHS	Compliant

Dimensions(mm)



Typical Test Data

