

# Coaxial RF Termination

TRF5020241



DC-50 GHz, 2.4mm Female, 20 Watts

## Electrical

<b>Impedance</b>	50 ohm
<b>Frequency Range</b>	DC-50 GHz
<b>VSWR</b>	1.34 max
<b>Input Avg Power</b>	20W@25°C ambient, derating linearly to 2W at 100°C
<b>Peak Power</b>	100W (5 micro-sec pulse width, 8% duty cycle)

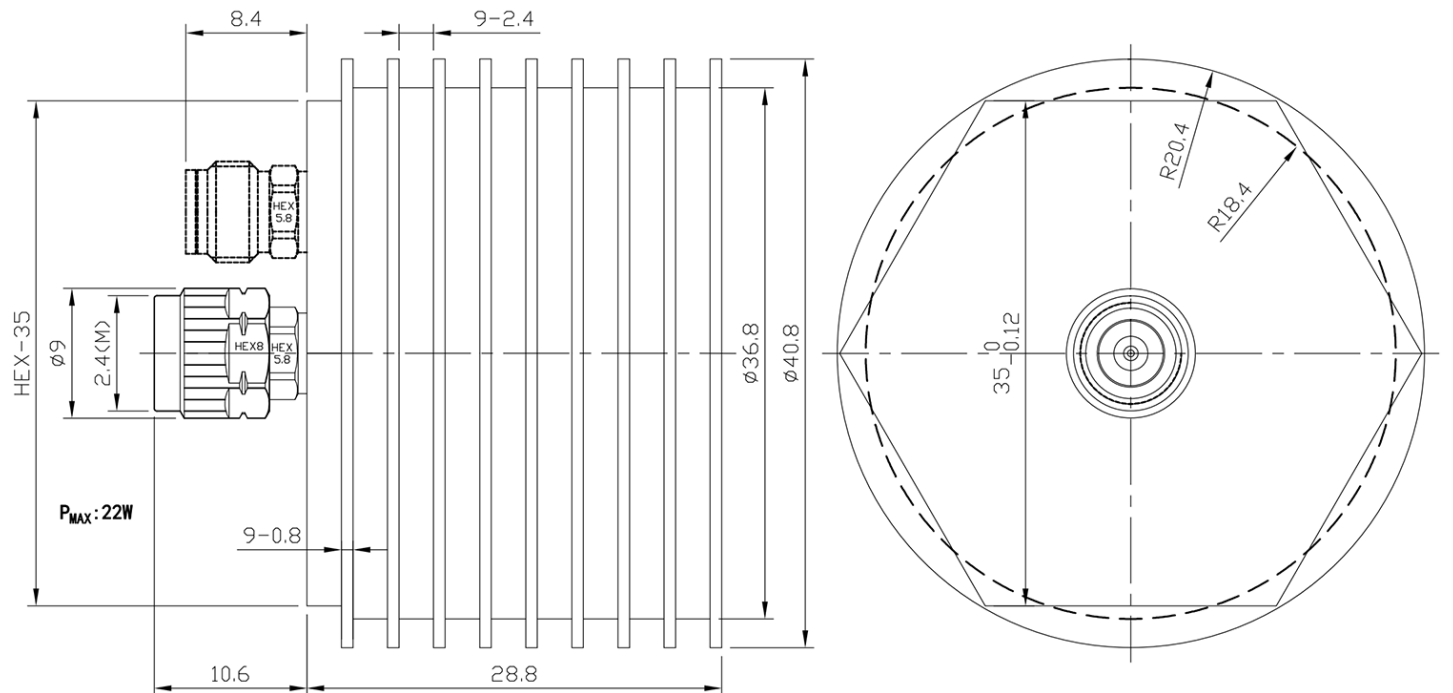
## Mechanical

<b>Connector Body</b>	Passivated stainless steel
<b>Center Contact</b>	1.27um gold plated BeCu
<b>Heat Sink</b>	Black anodized aluminum

## Environmental

<b>Operating Temp</b>	-55°C to 100°C
<b>Storage Temp</b>	-55°C to 125°C
<b>RoHS</b>	Compliant

## Dimensions(mm)



## Typical Test Data

