

Coaxial RF Termination

TRF5015241



DC-50 GHz, 2.4mm Female, 15 Watts

Electrical

| | |
|------------------------|--|
| Impedance | 50 ohm |
| Frequency Range | DC-50 GHz |
| VSWR | 1.3 max |
| Input Avg Power | 15W@25°C ambient, derating linearly to 1.5W at 100°C |
| Peak Power | 100W (5 micro-sec pulse width, 6% duty cycle) |

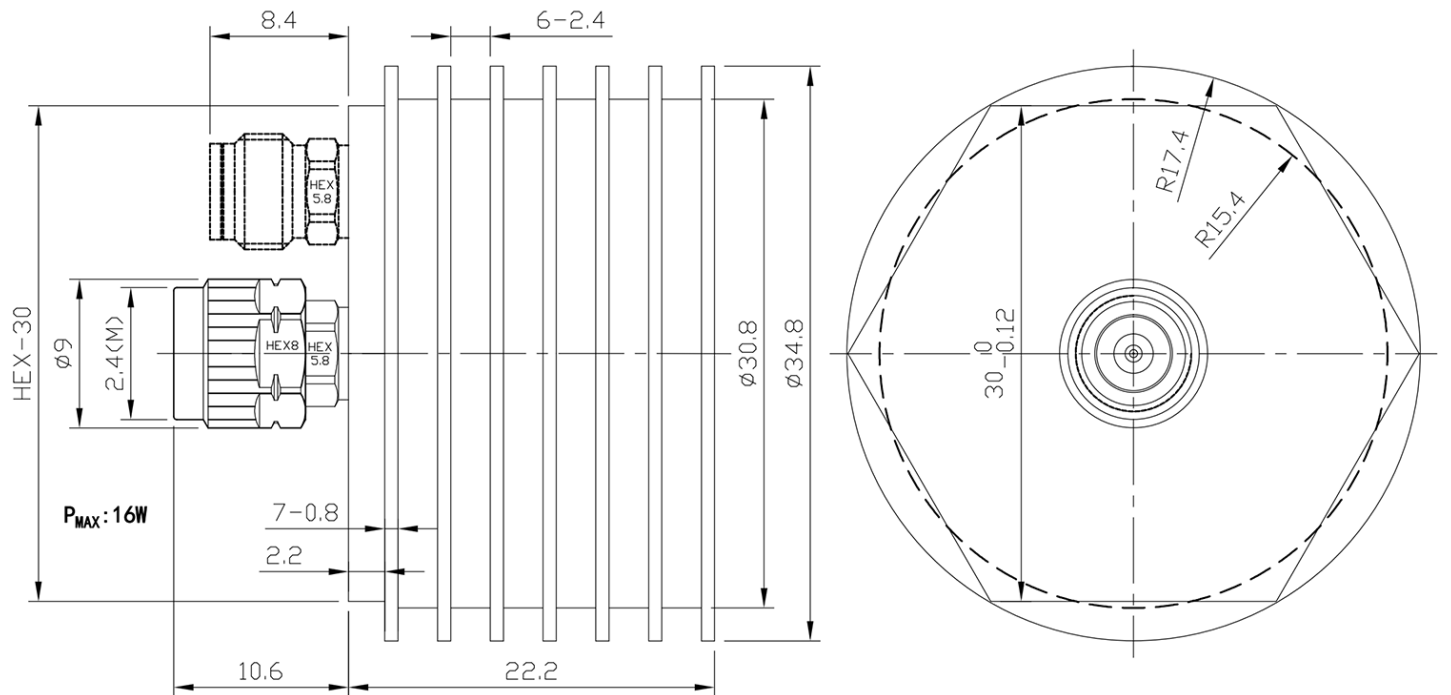
Mechanical

| | |
|-----------------------|----------------------------|
| Connector Body | Passivated stainless steel |
| Center Contact | 1.27um gold plated BeCu |
| Heat Sink | Black anodized aluminum |

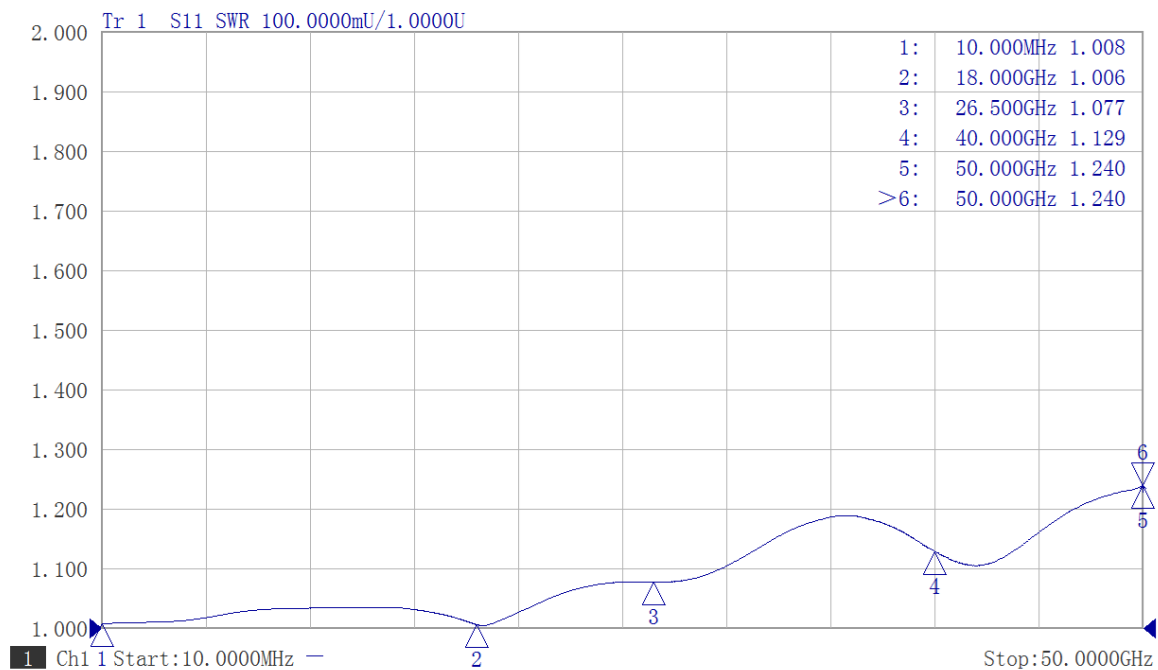
Environmental

| | |
|-----------------------|----------------|
| Operating Temp | -55°C to 100°C |
| Storage Temp | -55°C to 125°C |
| RoHS | Compliant |

Dimensions(mm)



Typical Test Data



Notes

1. Customized outlines and optimal VSWR available.
2. To maintain best performance, recommended to use fan to keep the case temperature under 85°C.