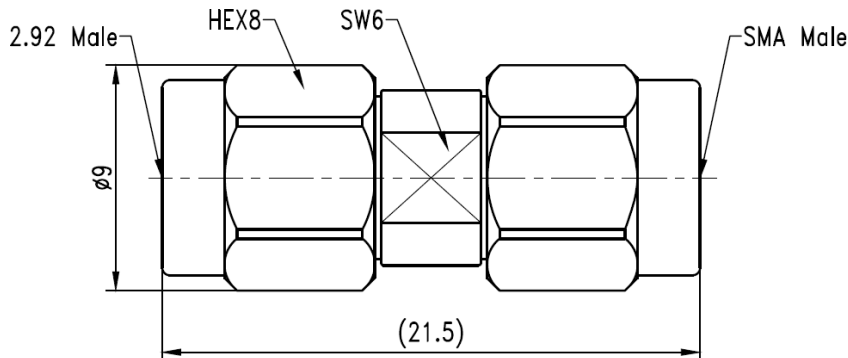


### Drawing(mm)



### Electrical & Environmental

Impedance	50 ohm
Frequency Range	27 GHz
VSWR	1.15 max
Operating Temp	-55°C to +165°C
Interface	SMA&2.92mm per MIL-STD-348

### Material

Connector Body	Passivated stainless steel
Center Contact	Gold plated beryllium copper
Insulator	PEI&PTFE

### Typical Test Data

