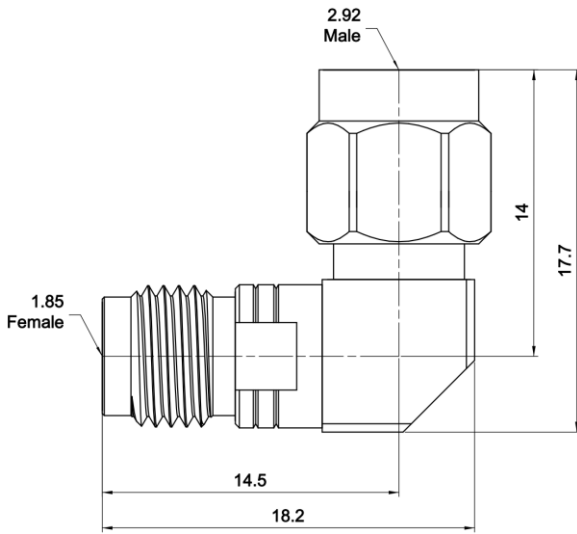


## Drawing(mm)



## Electrical & Environmental

Impedance	50 ohm
Frequency Range	40 GHz
VSWR	1.25 max
Operating Temp	-55°C to +165°C
Interface	2.92mm per MIL-STD-348, 1.85mm per IEC 61169

## Material

Connector Body	Passivated stainless steel
Center Contact	Gold plated beryllium copper
Insulator	PEI

## Typical Test Data

