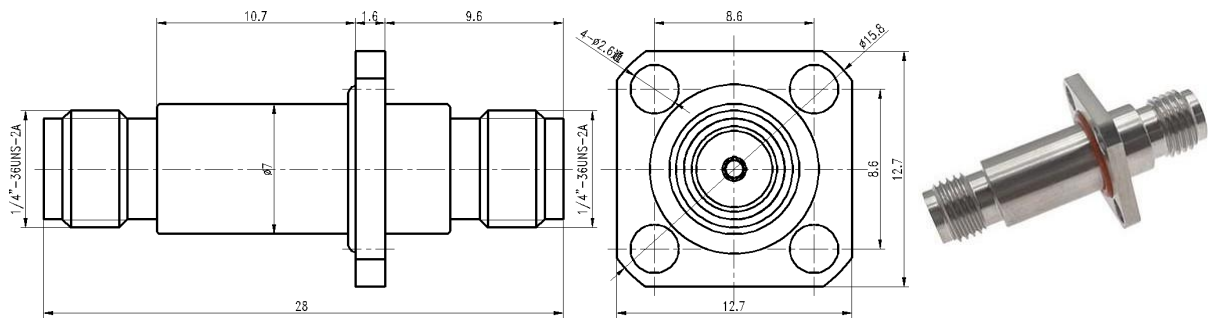


## Drawing(mm)



## Electrical & Environmental

|                 |                         |
|-----------------|-------------------------|
| Impedance       | 50 ohm                  |
| Frequency Range | 40 GHz                  |
| VSWR            | 1.15 max                |
| Operating Temp  | -55°C to +165°C         |
| Interface       | 2.92mm per MIL-STD-348B |

## Material

|                |                              |
|----------------|------------------------------|
| Connector Body | Passivated stainless steel   |
| Center Contact | Gold plated beryllium copper |
| Insulator      | PEI                          |
| O-ring         | Silicone rubber              |

## Typical Test Data

