

SRFS TELEINFRA

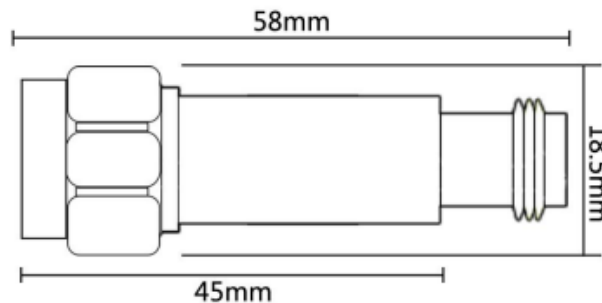
Get connected with us:



N-Type DC BLOCKS 10MHz~6GHz



Electrical and Mechanical Specifications	
Frequency Range	10MHz~6GHz
Model	SRFS-BL02-02
Connector	N-MF
VSWR	1.2:1
Power	2W
Impedance	50Ω
Working Voltage	3000V
Dimension	58*18mm
Tolerance	+2%
Temperature Range	-55°C~+125°C
Weight	70g



Add: plot no 10 shiv vihar a block Najafgarh Sahibi river road Vikasnagar Uttam nagar new delhi-110059

+91 84354 74330 info@srfsteinfra.in, aayush@srfsteinfra.in

www.srfsteinfra.in, www.srfsteinfra.com

SRFS Teleinfra | All specifications are subject to change.
SRFS reserves the right to make such changes as required. Unless otherwise stated, all specifications are nominal.
It may be necessary to make modifications to the part and/or the documentation of the part to implement improvements.
See www.srfsteinfra.in for the most current information. Revised: 19 Jan 2023

