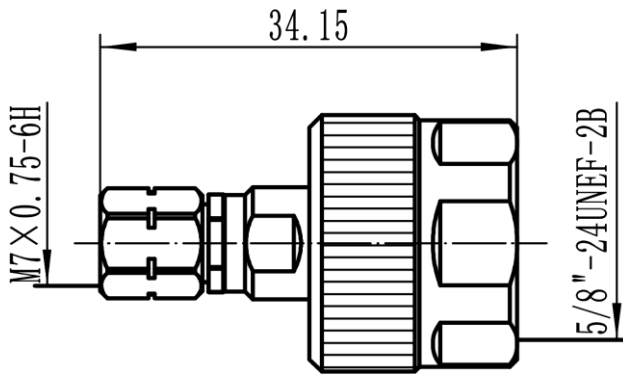


## N Male to 2.4mm Male Adapter

### Drawing(mm)



### Electrical & Environmental

|                 |  |
|-----------------|--|
| Impedance       | 50 ohm                                 |
| Frequency Range | 18 GHz                                 |
| VSWR            | 1.15 max                               |
| Operating Temp  | -55°C to +165°C                        |
| Interface       | N per MIL-STD-348, 2.4mm per IEC 61169 |

### Material

|                |                              |
|----------------|------------------------------|
| Connector Body | Passivated stainless steel   |
| Center Contact | Gold plated beryllium copper |
| Insulator      | PEI                          |

### Typical Test Data

