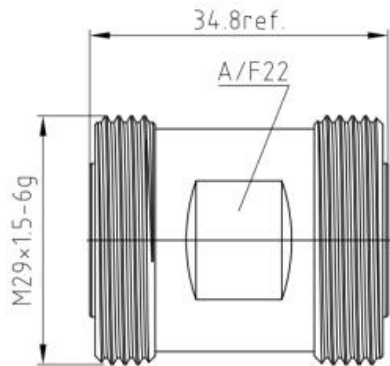


# SRFS TELEINFRA

Get connected with us:



## Low PIM DIN 7/16 Female to DIN 7/16 Female Adapter



ELECTRICAL SPECIFICATIONS	
Impedance	50 ohm
Frequency Range	DC-6 GHz
VSWR	1.25 max
PIM (Intermod)	-160dBc min with 2x20W tones
Operating Temp	-40°C ~ +125°C
RoHS	Compliant
MATERIAL & PLATING	
Connector Body	Ternary alloy plated brass
Center Contact	Silver plated brass
Insulator	PTFE
Weight	125g

Add: plot no 10 shiv vihar a block Najafgarh Sahibi river road Vikas Nagar Uttam nagar new delhi-110059

+91 8435474330, +91 8076749052 info@srfsteleinfra.in, aayush@srfsteleinfra.in, srfsteleinfra@gmail.com

www.srfsteleinfra.in, www.srfsteleinfra.com

SRFS Teleinfra | All specifications are subject to change.  
SRFS reserves the right to make such changes as required. Unless otherwise stated, all specifications are nominal.  
It may be necessary to make modifications to the part and/or the documentation of the part to implement improvements.  
See www.srfsteleinfra.in for the most current information. Revised: 19 Jan 2023

