

# SRFS TELEINFRA

## 6000MHZ Broadband 3dB Hybrid Coupler



### Product Description:

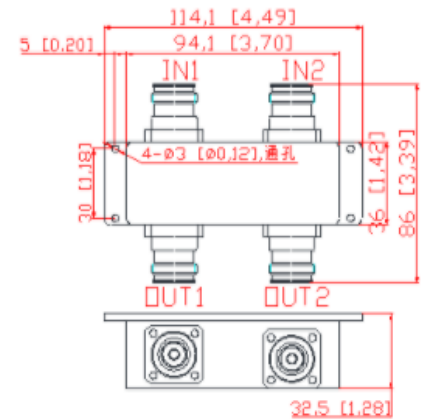
ISO9000 air dielectric 6000MHZ Broadband 3dB Hybrid Coupler

### 2700-6000MHZ 4.3-10 Female Low PIM 3dB Hybrid Coupler DAS

**Hybrid couplers** are the special case of a four-port directional coupler that is designed for a 3-dB (equal) power split. Hybrids come in two types, 90 degree or quadrature hybrids, and 180 degree hybrids.

Hybrid couplers are widely used as a directional 3db coupler with one termination port , also can be used as a combiner of 2 in 2 out and 2 in 1 out .

For some usage ,hybrid couplers can be combined as matrix, for example 4in 4out ,3in 3out etc.



### Mechanical & Electrical Specifications

Mechanical & Electrical Specifications	
Part Number	SRFS-HC2x2-2760-OP
Operating Frequency ( MHz )	2700-6000
Impedance ( Ohm )	50
VSWR	1.2
Coupling (dB)	3
Insertion Loss (dB)	±0.5
Isolation (dB)	26
IM3 (dBc @ 2×43dBm)	-150
Application	Indoor & Outdoor
Degree of Protection	IP65
Operating Temperature ( °C )	-40 ~ + 80
Interface	4.3-10 Female
Handling Power (Watt, max)	500
Peak Power (Watt, max)	1500
Dimension (mm)(L×W×H, excl connector)	114.1X36X32.5
Net Weight (g)	450±20
Packing Dimensions (mm,L×W×H)	170X100X40
Packing Carton Size (mm,L×W×H)	520X360X110
ROHS Compliance	Yes

Plot no 10 Shiv Vihar A Block Najafgarh Nala Road Vikasnagar Uttam Nagar New Delhi-110059

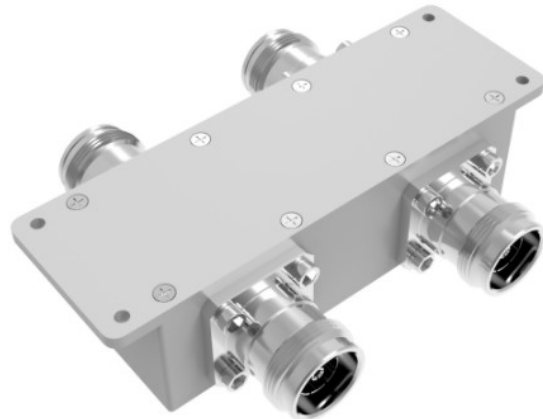
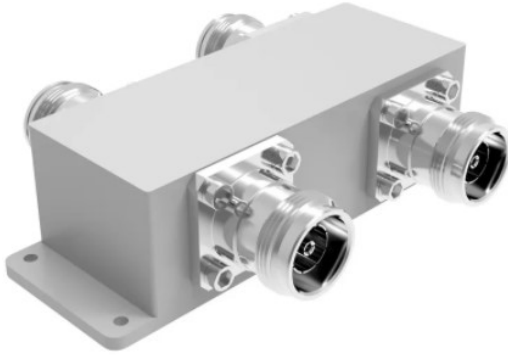
+91-9027232570, +91-8800726650 ✉ [info@srfsteleinfra.in](mailto:info@srfsteleinfra.in), [info@srfsteleinfra.com](mailto:info@srfsteleinfra.com)

[www.srfsteleinfra.in](http://www.srfsteleinfra.in)



# SRFS TELEINFRA

## 6000MHz Broadband 3dB Hybrid Coupler



Plot no 10 Shiv Vihar A Block Najafgarh Nala Road Vikasnagar Uttam Nagar New Delhi-110059

+91-9027232570, +91-8800726650 ✉ [info@srfsteleinfra.in](mailto:info@srfsteleinfra.in), [info@srfsteleinfra.com](mailto:info@srfsteleinfra.com)

🌐 [www.srfsteleinfra.in](http://www.srfsteleinfra.in)