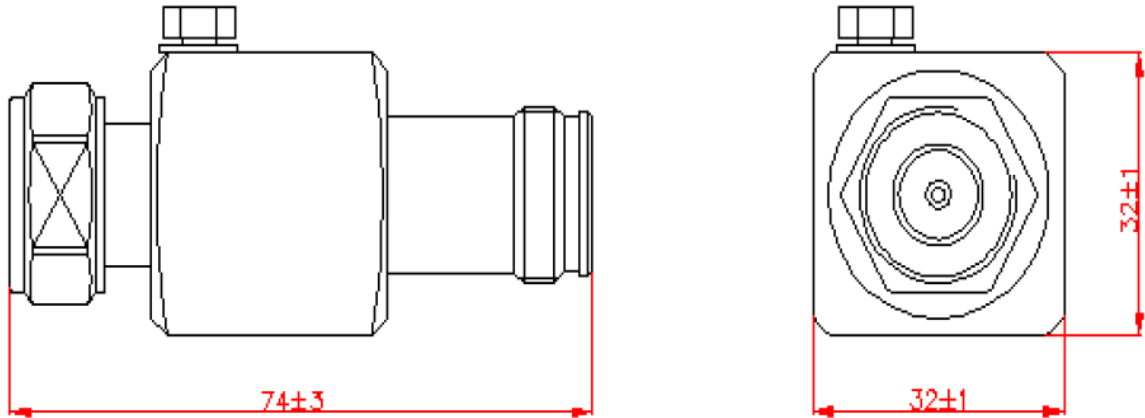


4.3-10 M/F DC Block



Electrical & Mechanical Specifications	
Item	DC Block
Model	SRFS- DCSTOP-698-2700-001
Frequency	698-2700MHz
VSWR	≤ 1.15
Isolation	> 70 dB (DC)/> 25 dB (AISG 2.176MHz)
PIM3	≤-160dBc@2x43dBm
Impedance	50 (Ω)
Power	500 (W)
Connector	4.3-10-Male/Female
Size Ø	74X32 (mm)
Weight	320 (g)
Operating temperature (°C)	-55~+125

