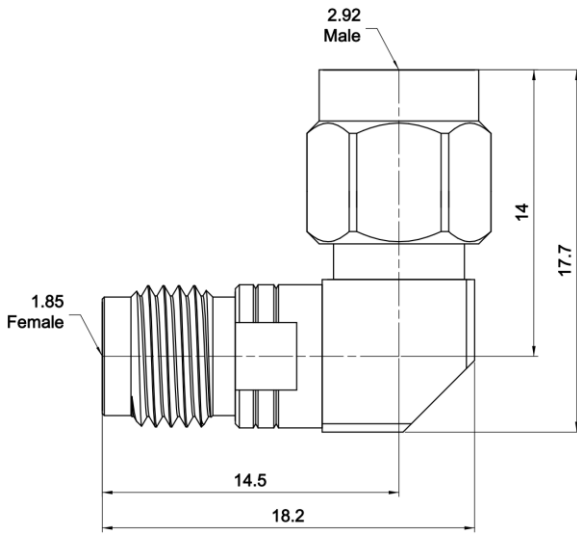


## 2.92mm Male to 1.85mm Female Right Angle Adapter

### Drawing(mm)



### Electrical & Environmental

|                 |  |
|-----------------|--|
| Impedance       | 50 ohm                                       |
| Frequency Range | 40 GHz                                       |
| VSWR            | 1.25 max                                     |
| Operating Temp  | -55°C to +165°C                              |
| Interface       | 2.92mm per MIL-STD-348, 1.85mm per IEC 61169 |

### Material

|                |                              |
|----------------|------------------------------|
| Connector Body | Passivated stainless steel   |
| Center Contact | Gold plated beryllium copper |
| Insulator      | PEI                          |

### Typical Test Data

