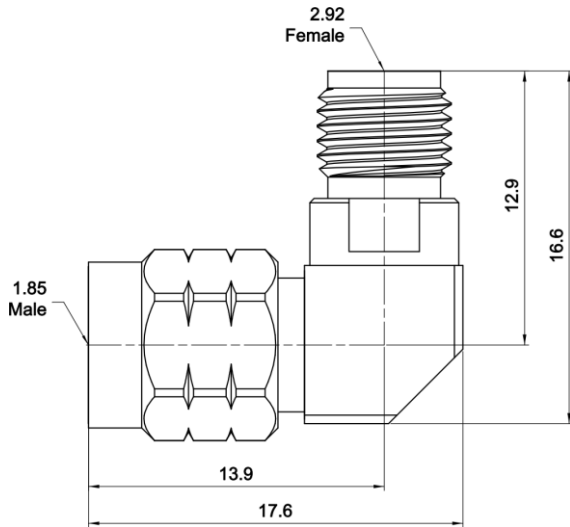


2.92mm Female to 1.85mm Male Right Angle Adapter

Drawing(mm)



Electrical & Environmental

Impedance	50 ohm
Frequency Range	40 GHz
VSWR	1.25 max
Operating Temp	-55°C to +165°C
Interface	2.92mm per MIL-STD-348, 1.85mm per IEC 61169

Material

Connector Body	Passivated stainless steel
Center Contact	Gold plated beryllium copper
Insulator	PEI

Typical Test Data

