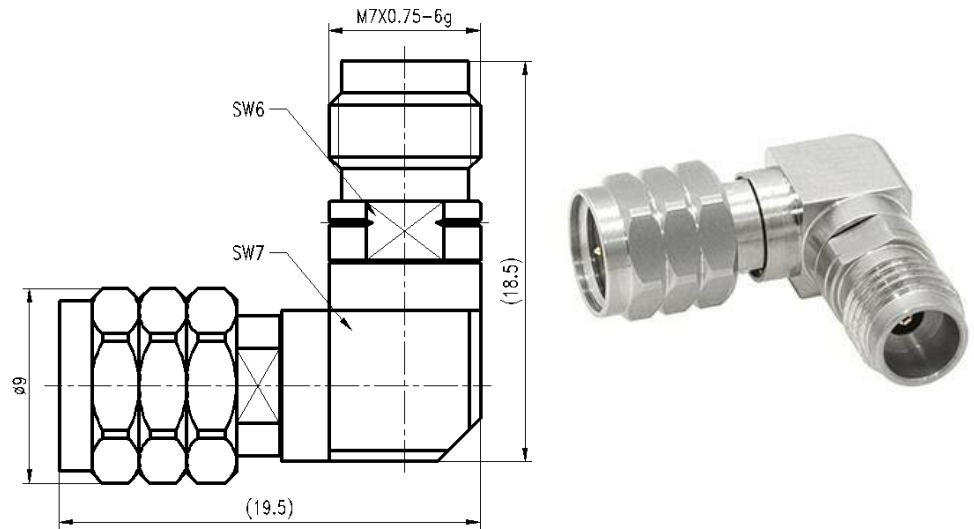


## 2.4mm Female to 1.85mm Male Right Angle Adapter

### Drawing(mm)



### Electrical & Environmental

Impedance	50 ohm
Frequency Range	50 GHz
VSWR	1.3 max
Operating Temp	-55°C to +165°C
Interface	2.4mm&1.85mm per IEC 61169

### Material

Connector Body	Passivated stainless steel
Center Contact	Gold plated beryllium copper
Insulator	PEI

### Typical Test Data

