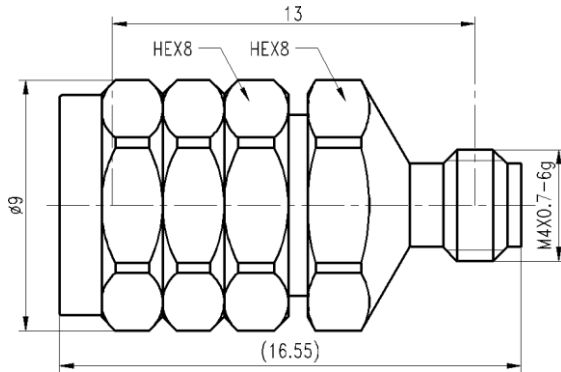


# 1.85mm Male to 1.0mm Female Adapter

## Drawing(mm)



## Electrical & Environmental

|                        |                                              |
|------------------------|----------------------------------------------|
| <b>Impedance</b>       | 50 ohm                                       |
| <b>Frequency Range</b> | DC-67 GHz                                    |
| <b>VSWR</b>            | 1.25 max (a pair of 1.85mm to 1.0mm adapter) |
| <b>Operating Temp</b>  | -55°C-+120°C                                 |
| <b>Interface</b>       | 1.85mm&1.0mm per IEC 61169                   |

## Material

|                       |                              |
|-----------------------|------------------------------|
| <b>Connector Body</b> | Passivated stainless steel   |
| <b>Center Contact</b> | Gold plated beryllium copper |
| <b>Insulator</b>      | PEI                          |

## Typical Test Data

