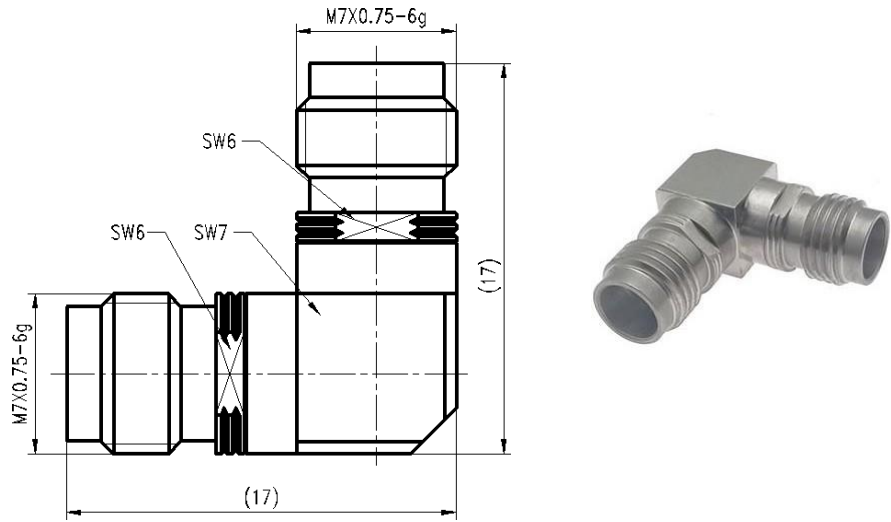


# 1.85mm Female to 1.85mm Female Right Angle Adapter

## Drawing(mm)



## Electrical & Environmental

Impedance	50 ohm
Frequency Range	DC-67 GHz
VSWR	1.3 max
Operating Temp	-55°C to +165°C
Interface	1.85mm per IEC 61169

## Material

Connector Body	Passivated stainless steel
Center Contact	Gold plated beryllium copper
Insulator	PEI&PTFE

## Typical Test Data

