

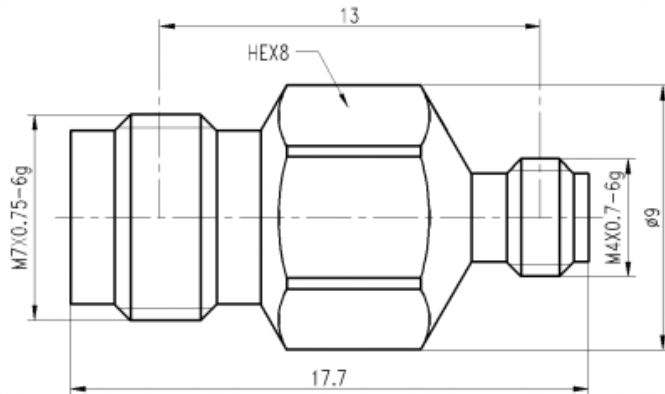
SRFS TELEINFRA

Get connected with us:



1.85mm Female to 1.0mm Female Adapter

Model no.: SRFS-ADP-1.85F-1.0F-67



Electrical Specifications	
Impedance	50 ohm
Frequency Range	DC-67 GHz
VSWR	1.25 max
Operating Temp	-55°C to +120°C
Interface	1.85mm Female to 1.0mm Female
Mechanical Specifications	
Connector Body	Passivated stainless steel
Center Contact	Gold plated beryllium copper
Insulator	PEI

Add: plot no 10 shiv Vihar a block Najafgarh Sahibi river road Vikas Nagar Uttam Nagar new delhi-110059

+91-9027232570, +91-8800726650, +91 8076749052 info@srfsteleinfra.in, info@srfsteleinfra.com, srfsteleinfra@gmail.com

www.srfsteleinfra.in, www.srfsteleinfra.com

SRFS Teleinfra | All specifications are subject to change.
SRFS reserves the right to make such changes as required. Unless otherwise stated, all specifications are nominal.
It may be necessary to make modifications to the part and/or the documentation of the part to implement improvements.
See www.srfsteleinfra.in for the most current information. Revised: 19 Jan 2023



SRFS TELEINFRA

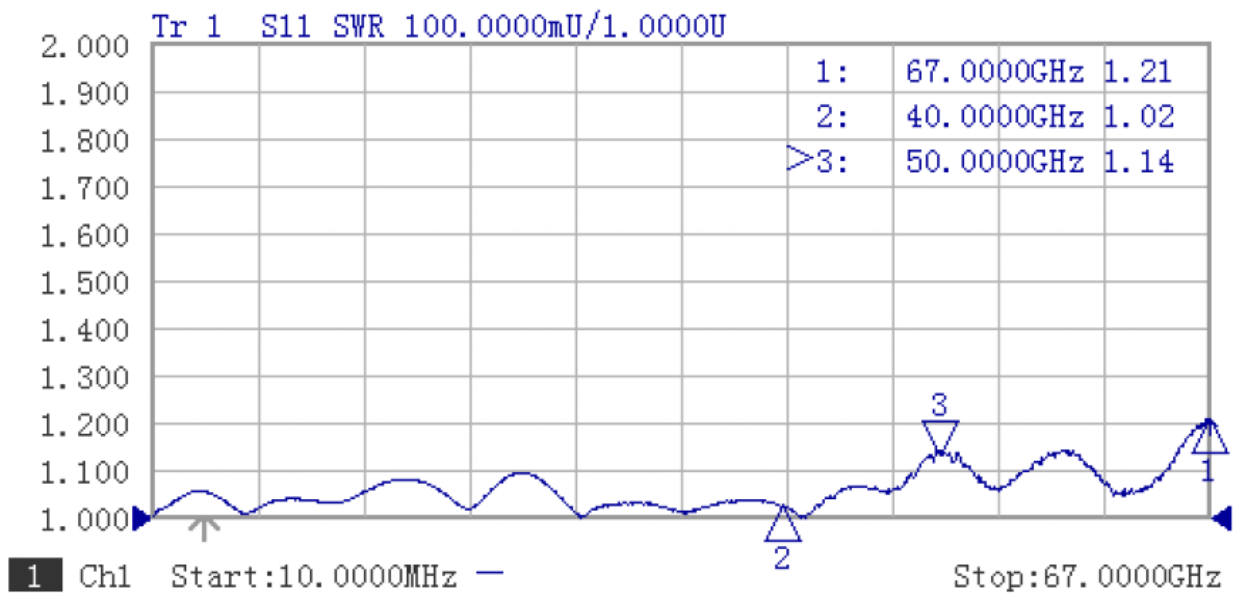
Get connected with us:



1.85mm Female to 1.0mm Female Adapter

Model no.: SRFS-ADP-1.85F-1.0F-67

Test Result :



Add: plot no 10 shiv Vihar a block Najafgarh Sahibi river road Vikas Nagar Uttam Nagar new delhi-110059

+91-9027232570, +91-8800726650, +91 8076749052 info@srfsteleinfra.in, info@srfsteleinfra.com, srfsteleinfra@gmail.com

www.srfsteleinfra.in, www.srfsteleinfra.com

SRFS Teleinfra | All specifications are subject to change.
SRFS reserves the right to make such changes as required. Unless otherwise stated, all specifications are nominal.
It may be necessary to make modifications to the part and/or the documentation of the part to implement improvements.
See www.srfsteleinfra.in for the most current information. Revised: 19 Jan 2023

