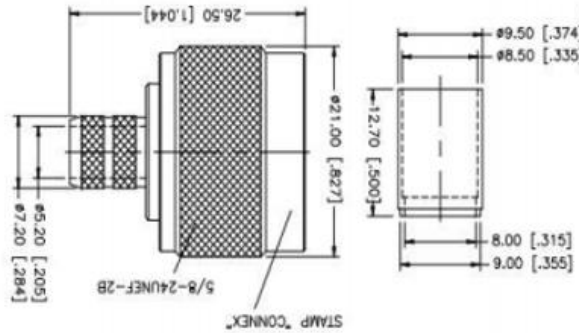


N Male for LMR 300 Crimp Connector



Electrical & Mechanical Specifications		
Frequency Range	DC 7.5 GHz	
Characteristic Impedance	50 Ω	
VSWR	$\leq 1.10 @ DC-3GHz$	
Dielectric Withstanding Voltage	2500Vrms, 50 Hz at sea level	
Test Voltage DC	2000 V	
Dielectric Resistance	$\geq 5000M\Omega$	
Contact Resistance	Center Contact $\leq 1 m\Omega$ Outer Contact $\leq 0.25 m\Omega$	
Average Power	0.6 KW @ 900 MHz	
Peak Power	10.00 KW	
Durability	Mating cycles ≥ 500	
Material & Plating		
	Material	Plating
Body	Brass	Ni
Insulator	PTFE	-
Contact	Brass	Au
Ferrule	Brass	Ni
Environmental		
Temperature Range	$-40^{\circ}C \sim +85^{\circ}C$	
RoHS	Compliant Yes	