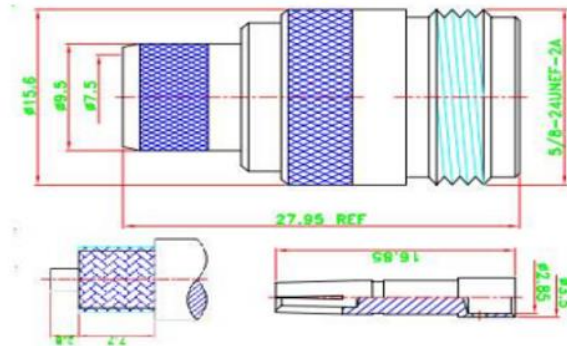


# SRFS TELEINFRA

## N Female Crimp Connector for LMR 400

Get connected with us:



Electrical & Mechanical Specifications		
Frequency Range	DC 7.5 GHz	
Characteristic Impedance	50 $\Omega$	
VSWR	$\leq 1.10 @ DC-3GH$	
Dielectric Withstanding Voltage	1000Vrms, 50 Hz at sea level	
Test Voltage DC	2000 V	
Dielectric Resistance	$\geq 5000M\Omega$	
Contact Resistance	Center Contact $\leq 1.0 m\Omega$ Outer Contact $\leq 0.25 m\Omega$	
Average Power	0.6 KW @ 900 MHz	
Peak Power	10.00 KW	
Durability	Mating cycles $\geq 500$	
Material & Plating		
	<b>Material</b>	<b>Plating</b>
Body	Brass	Ni
Insulator	PTFE	-
Center conductor	Phosphor Copper	Au
Environmental		
Temperature Range	$-40^{\circ}C \sim +85^{\circ}C$	
RoHS	Compliant Yes	

Add: plot no 10 shiv vihar a block Najafgarh Sahibi river road Vikasnagar Uttam nagar new delhi-110059

+91-9027232570, +91-8800726650, +91 8076749052 info@srfsteleinfra.in, info@srfsteleinfra.com, srfsteleinfra@gmail.com

www.srfsteleinfra.in, www.srfsteleinfra.com

