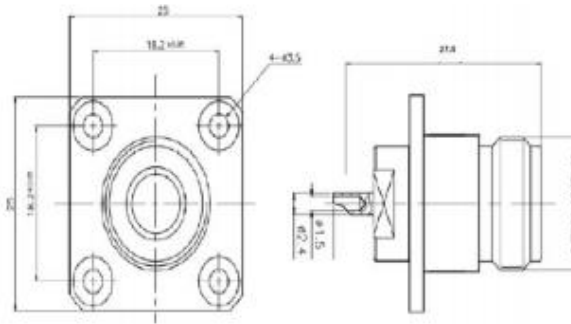


# SRFS TELEINFRA

## N Female 4H (25 Sq.) Flange Solder Pot

Get connected with us:



Electrical & Mechanical Specifications		
Frequency Range	DC-11GHz	
Characteristic Impedance	50 $\Omega$	
VSWR	$\leq 1.22$ @DC-3GHz; $\leq 1.35$ @DC-6GHz;	
Dielectric Withstanding Voltage	$\geq 2500V_{rms}$ , 50 Hz at sea level	
Working Voltage	1000Vrms, 50 Hz at sea level	
Contact Resistance	Center Contact $\leq 1.0$ m $\Omega$ Outer Contact $\leq 0.25$ m $\Omega$	
Insulation Resistance	$\geq 5000$ M $\Omega$	
Durability	Mating cycles $\geq 500$	
Material & Plating		
	Material	Plating
Body	Brass	Ni
Insulator	PTFE	-
Center conductor	Phosphor bronze	Au
Environmental		
Temperature Range	-40°C~+155°C	
RoHS	Compliant Yes	
Water Proof Rate	IP68	

Add: plot no 10 shiv vihar a block Najafgarh Sahibi river road Vikasnagar Uttam nagar new delhi-110059

+91-9027232570, +91-8800726650, +91 8076749052 info@srfsteleinfra.in, info@srfsteleinfra.com, srfsteleinfra@gmail.com

www.srfsteleinfra.in, www.srfsteleinfra.com

