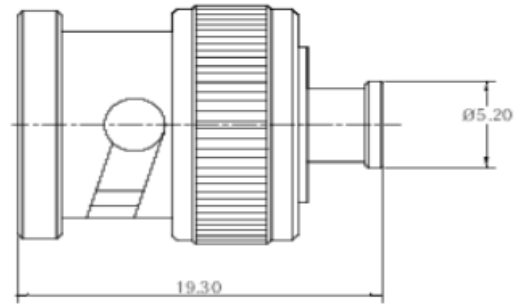


SRFS TELEINFRA

Get connected with us:



BNC(M) STRAIGHT SF141, SR141, RG402 Part No. SRFS-CBNCMCR-04



| Electrical & Mechanical Specifications | | |
|--|---------------------------|----------------|
| Frequency Range | DC-4 GHz | |
| Voltage Rating | 500 Vrms | |
| Mating life | 500 Mating | |
| Insertion Loss | 0.5dB max at 3 GHz | |
| Characteristic Impedance | 50 Ω | |
| Coupling Nut Torque | 0.07 Nm min ~ 0.25 Nm max | |
| Material & Plating | | |
| Body | Brass | Nickel Plating |
| Insulator | PTFE | - |
| Contact | BeCu | Gold Plating |
| Ferrule | Brass | Nickel Plating |
| Cable Type | SF141, SR141, RG402 | |
| Environmental | | |
| Temperature Range | -65 ° C ~ 85 ° C | |
| RoHS | Compliant Yes | |

Add: plot no 10 shiv vihar a block Najafgarh Sahibi river road Vikas Nagar Uttam nagar new delhi-110059

+91 8435474330, +91 8076749052 info@srfsteleinfra.in, aayush@srfsteleinfra.in, srfsteleinfra@gmail.com

www.srfsteleinfra.in, www.srfsteleinfra.com

SRFS Teleinfra | All specifications are subject to change.
SRFS reserves the right to make such changes as required. Unless otherwise stated, all specifications are nominal.
It may be necessary to make modifications to the part and/or the documentation of the part to implement improvements.
See www.srfsteleinfra.in for the most current information. Revised: 19 Jan 2023

