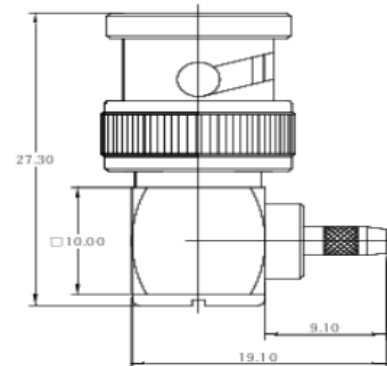


# SRFS TELEINFRA

Get connected with us:



BNC(M) RIGHT ANGLE RG316 CRIMP Part No. SRFS-BNCMRACR-04



Electrical & Mechanical Specifications		
Frequency Range	DC-4 GHz	
Voltage Rating	500 Vrms	
Mating life	500 Mating	
Insertion Loss	0.5dB max at 3 GHz	
Characteristic Impedance	50 $\Omega$	
Coupling Nut Torque	0.07 Nm min ~ 0.25 Nm max	
Material & Plating		
Body	Brass	Nickel Plating
Insulator	PTFE	-
Contact	BeCu	Gold Plating
Ferrule	Brass	Nickel Plating
Cable Type	RG316	
Environmental		
Temperature Range	-65 ° C ~ 85 ° C	
RoHS	Compliant Yes	

Add: plot no 10 shiv vihar a block Najafgarh Sahibi river road Vikas Nagar Uttam nagar new delhi-110059

+91 8435474330, +91 8076749052 info@srfsteleinfra.in, aayush@srfsteleinfra.in, srfsteleinfra@gmail.com

www.srfsteleinfra.in, www.srfsteleinfra.com

SRFS Teleinfra | All specifications are subject to change.  
SRFS reserves the right to make such changes as required. Unless otherwise stated, all specifications are nominal.  
It may be necessary to make modifications to the part and/or the documentation of the part to implement improvements.  
See www.srfsteleinfra.in for the most current information. Revised: 19 Jan 2023



