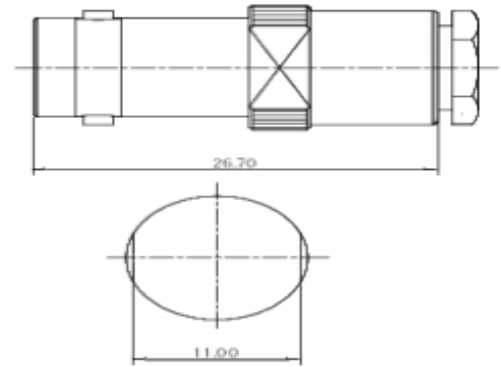


BNC(F) Clamp RG58, RG223, LMR200 Part No. SRFS- BNCFCL-04



Electrical & Mechanical Specifications	
Frequency Range	DC-4GHz
Voltage Rating	500 Vrms
Mating life	500 Mating
Insertion Loss	0.3 dB max at 3 GHz
Characteristic Impedance	50 Ω
Coupling Nut Torque	0.07 Nm min ~ 0.25 Nm max
Material & Plating	
Body	Brass Nickel Plating
Insulator	PTFE
Contact	Be Cu Gold Plating
Ferrule	Brass Nickel Plating
Cable Type	RG58, RG223, LMR200
Environmental	
Temperature Range	-65 ° C ~ 85 ° C
Water Proof Rate	IP67
RoHS	Compliant Yes