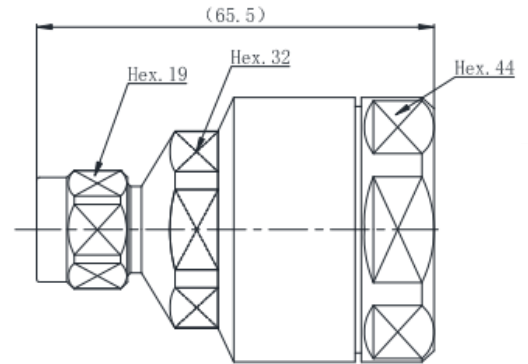


N Male Straight Connector for 1-1/4" Flexible Cable Clamp Type



Electrical & Mechanical Specifications	
Model No.	SRFS-CON-NM-1-1/4
Impedance	50 ohm
Frequency	DC-6000 MHz
VSWR	≤1.10@DC-3G ; ≤1.20@3G-6G
PIM3(@2x43dBm)	≤-155 dBc
Dielectric withstanding voltage	≥2500V RMS, 50Hz, at sea level
Dielectric Resistance	≥5000MΩ
Center contact resistance	≤1.0mΩ
Outer contact resistance	≤1.0mΩ
Apply with the cables	1-1/4" coaxial cable
Durability	≥500 mating cycles
Watertightness (1m, 1 hour)	IP67
Salt-fog test	96h
ROHS compliance	Full ROHS compliant
Temperature (°C)	-40 to +85
Material Data & Requirements	
Body	Brass, Tri-alloy plated
Center conductor	Phosphor bronze, Ag plated
Insulator	PTFE