

# SRFS TELEINFRA

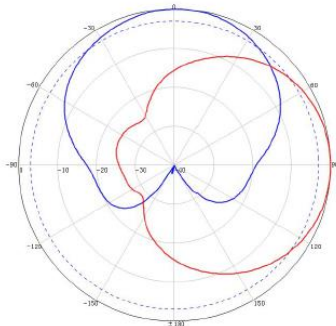


## 4T4R Panel Antenna

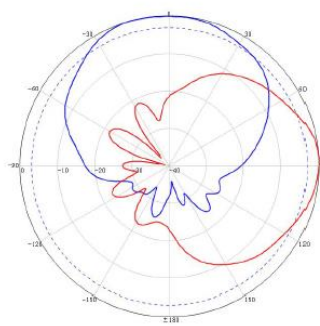
698~960/1710~2700/3300~4000MHz 80°/60°/65° 6/8/8dBi

Electrical and Mechanical Specifications			
Frequency range (MHz)	698~960	1710~2700	3300~4000
Gain (dBi)	7±1	8±1	8±1
Horizontal beam width (°)	80±15	60±15	65±15
Vertical beam width (°)	75	55	40
Front-to-back ratio (dB)	≥20	≥25	≥20
Isolation(dB)	≥18	≥20	≥25
Polarization	±45°		
Connector	4*4.3-10 Female or 4* N-Female		
Connector position	Bottom		
Exposed cable size (cm)	30(or customer requirement)		
Height/width/depth (mm)	410*305*84		
Packing size (mm)	480*370*180		
Weight (kg)	2		
Radome material	ABS		
Radome color	White (RAL9003)		
Operating temperature (°C)	-40~60		
Application	Indoor		
Mounting	Wall Mounting		

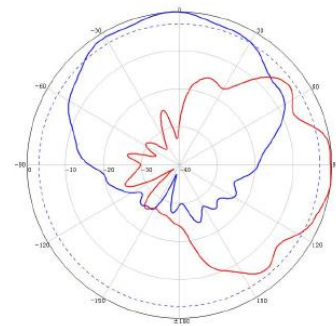
698~960MHz: ±45° Pol.



1710~2700MHz: ±45° Pol.



3300~3800MHz: ±45° Pol.

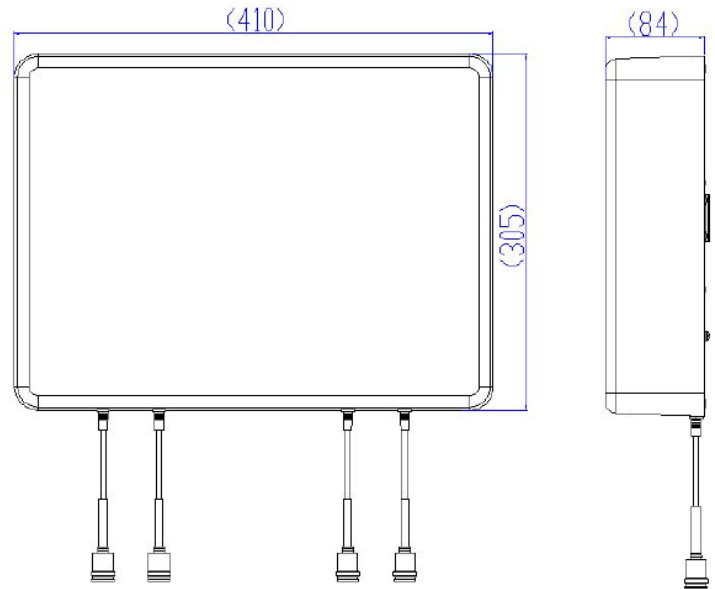


Plot no 10 Shiv Vihar A Block Najafgarh Nala Road Vikasnagar Uttam Nagar New Delhi-110059

+91-9027232570, +91-7838349349 [info@srfsteleinfra.in](mailto:info@srfsteleinfra.in), [info@srfsteleinfra.com](mailto:info@srfsteleinfra.com)

[www.srfsteleinfra.in](http://www.srfsteleinfra.in)

## 4T4R Panel Antenna



### Installation Sketch

