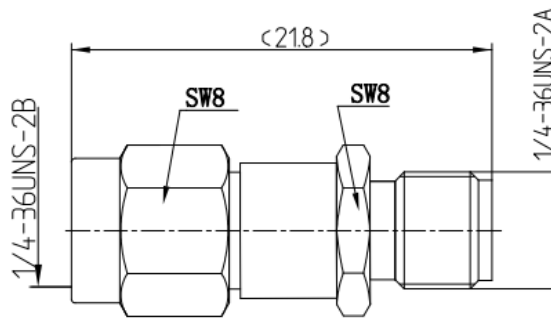


# SRFS TELEINFRA

## SMA Male to Female Attenuator Power 2W 18GHZ 5dB



Electrical & Mechanical Specifications		
Frequency range	DC-18Ghz	
Impedance	50Ω	
Nominal Attenuator	5dB	
Power Input	2Watt	
VSWR Maximum	1.30:1	
Durability (matings)	≥500	
Material & Finish		
Connector parts	Material	Plating
Body	Stainless steel	Passivated
Pin contacts	Beryllium copper	Gold
Insulators	PTFE	



Add: plot no 10 shiv vihar a block Najafgarh Sahibi river road Vikasnagar Uttam nagar new delhi-110059

+91-9027232570, +91-8800726650, +91 8076749052 info@srfsteleinfra.in, info@srfsteleinfra.com, srfsteleinfra@gmail.com

www.srfsteleinfra.in, www.srfsteleinfra.com

SRFS Teleinfra | All specifications are subject to change. Unless otherwise stated, all specifications are nominal. SRFS reserves the right to make such changes as required. It may be necessary to make modifications to the part and/or the documentation of the part to implement improvements. See www.srfsteleinfra.in for the most current information. Revised: 19 Jan 2023

