

6 IN 2 OUT N-F POI

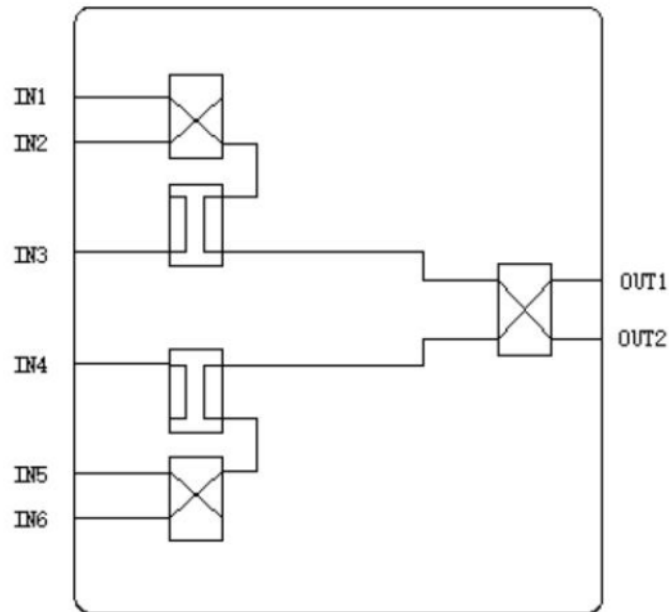
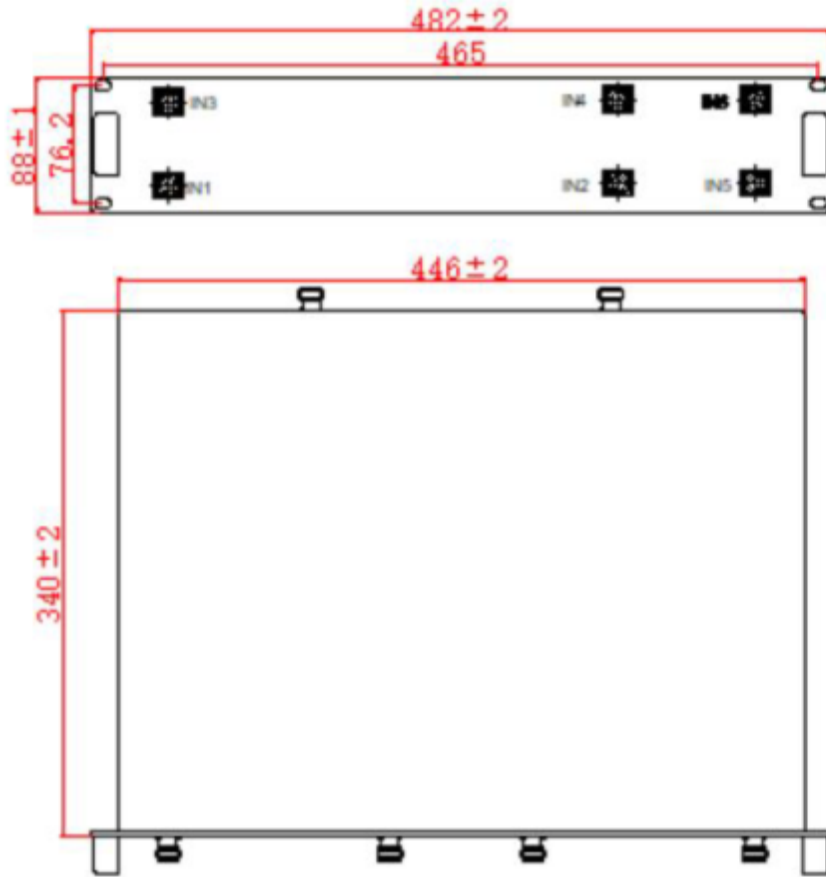
Features:

POI (Point of Interface) As the core device of multi-network integration for indoor coverage, POI (Point of Interface) uses multi-frequency low-loss combiner technology to carry out effective combination and division of uplink and downlink RF signals of operators, which can ensure that the system distortion-less combiner transmits uplink and downlink signals without interference among signals in each network, and different systems share an indoor distributed system.

Serving as a powerful multi-combiner, POI is a comprehensive and reliable passive component to signal integration and transmission. Due to different operators providing respective frequency ranges to their customers, while customers will interact freely with persons despite frequency boundaries, there should be a smart system to accommodate communication as much as possible – this is what POI works for. Partnered with repeater equipment, it can be tailored to frequency interfaces without operator limits, meanwhile transmitting the combined and stable signals to floors, buildings, etc

TECHNICAL SPECIFICATIONS	
Frequency Range	Port1 136-174 MHz Port2 136-174 MHz Port3 136-174 MHz Port4 136-174 MHz Port5 136-174 MHz Port6 136-174 MHz Ant1 136-174 MHz Ant2 136-174 MHz
Insertion Loss	8 dB
Isolation	>20 dB
VSWR	1.35
Power Rating	300 W
Impedance	50 Ohm
Connectors Type	N Female
Size	482*340*88mm
Weight	9 kg Approx
No. of Port	6 inputs, 2 outputs
Operating Temperature	-40°C to 80°C
Relative Humidity	0 to 95%
Applied Environment	IP65, Indoor or Outdoor
Finish	Black paint

SRFS TELEINFRA



Plot no 10 Shiv Vihar A Block Najafgarh Nala Road Vikasnagar Uttam Nagar New Delhi-110059

+91-9027232570, +91-8800726650  info@srfsteleinfra.in, srfsteleinfra@gmail.com