

# SRFS TELEINFRA



## Diplexer (Single Unit) SRFS-2338-NF-150S

### Main Features:

- Compact, Low Weight
- Contain 2300,2700 ,4000 Bands
- Low Passive Inter-modulation
- High Reliability
- Simple Installation

ELECTRICAL & MECHANICAL SPECIFICATIONS	
Frequency Range	CH1: 2300 to 2700MHz CH2: 3300 to 4000MHz
VSWR	≤1.25
Insertion loss	≤0.5dB
Port Isolation	≥50dB
Power (Average)	300W
Power (Peak)	1000W
Inter-modulation (3rd order)	≤-150dBc@2*43dBm
Impedance	50 Ohm
Connectors Type	N-Female
Color	Light Gray
Net Weight	TBA
Outer Dimension(mm)	110*110*44 (Connectors & Mounting Brackets)
Mounting	With Hose Clamp & Mounting Brackets
Operating Temperature Range	-20°C to +55°C
Storage Temperature Range	-35°C to +85°C
Relative Humidity	5% - 95%
Applications	IP65 (Indoor & Outdoor)



Plot no 10 Shiv Vihar A Block Najafgarh Nala Road Vikasnagar Uttam Nagar New Delhi-110059

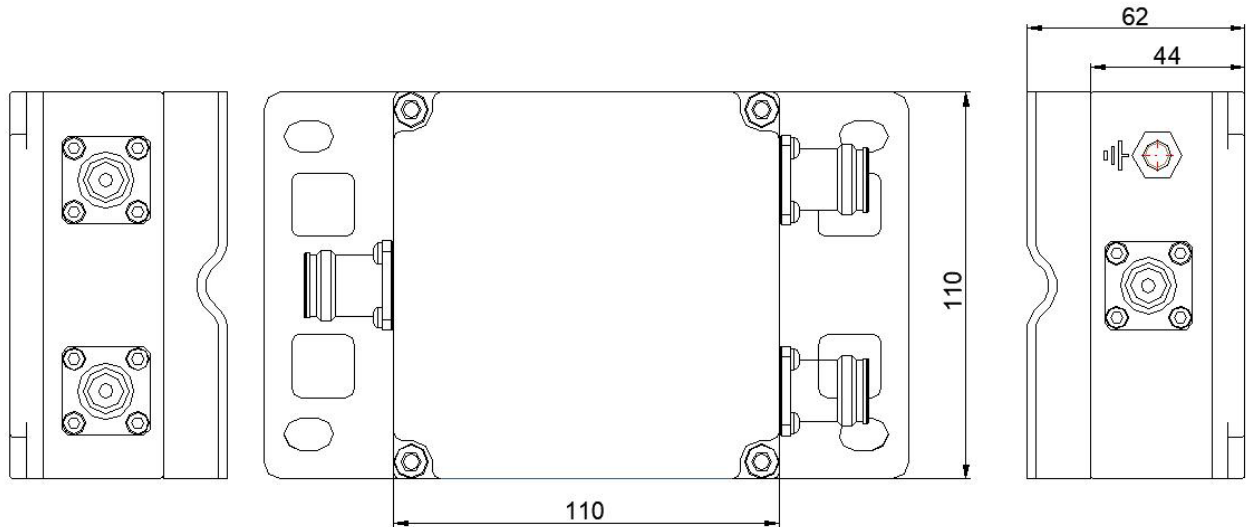
+91-9027232570, +91-7838349349 ✉ [info@srfsteleinfra.in](mailto:info@srfsteleinfra.in), [info@srfsteleinfra.com](mailto:info@srfsteleinfra.com)

[www.srfsteleinfra.in](http://www.srfsteleinfra.in)

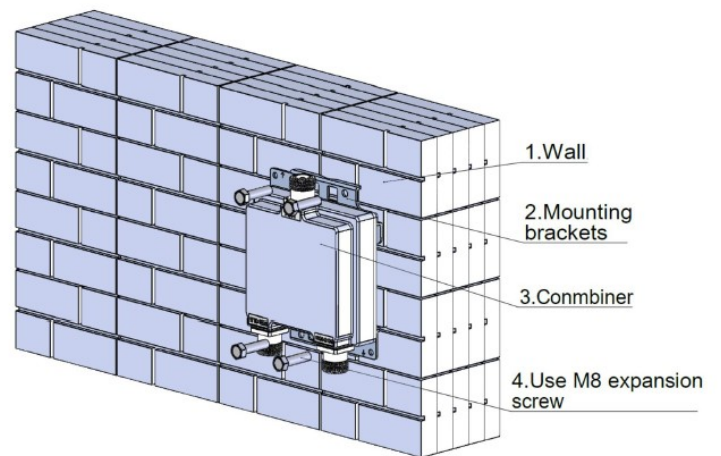
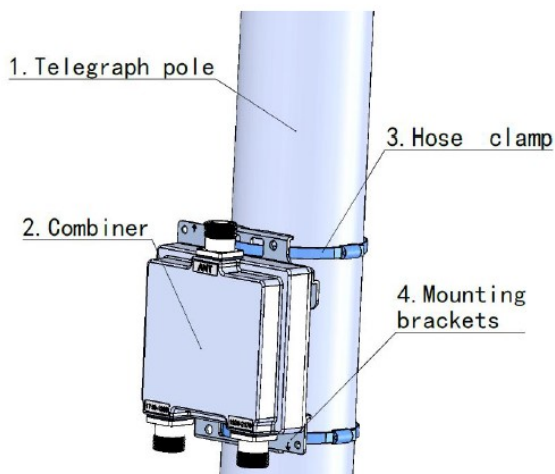
# SRFS TELEINFRA



## Diplexer (Single Unit) SRFS-2338-NF-150S



### Installation Instructions



Plot no 10 Shiv Vihar A Block Najafgarh Nala Road Vikasnagar Uttam Nagar New Delhi-110059

+91-9027232570, +91-7838349349 [info@srfsteleinfra.in](mailto:info@srfsteleinfra.in), [info@srfsteleinfra.com](mailto:info@srfsteleinfra.com)

[www.srfsteleinfra.in](http://www.srfsteleinfra.in)