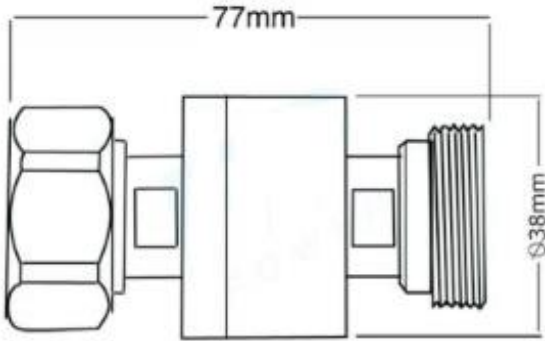


DIN-M/F DC Block



ELECTRICAL & MECHANICAL SPECIFICATIONS	
Item	DC Block
Model	SRFS- DB-DMF-0830
Frequency	DC-3000MHz
VSWR	≤ 1.25
PIM3	≤-153dBc@2×43dBm
Impedance	50 (Ω)
Average Voltage	4KV
Max Voltage	15KV
Power	200 (W)
Connector	DIN-Male/Female
Size	∅77X38 (mm)
Weight	200 (g)
Operating temperature (°C)	-55~+125