

Triplexer Combiner

Product features Single

- 50 dB input isolation
- Very low insertion loss
- Excellent intermodulation performance
- Built-in lightning protection
- Wall or mast mounting

Single

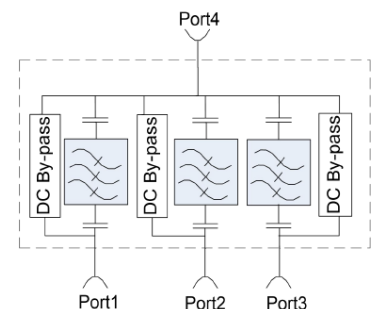


Double



Electrical & Mechanical Specifications	
Frequency range (MHz)	Port1 698-960 Port2 1710-2170 Port3 2300-2700
Insertion loss (dB)	≤0.3
Isolation (dB)	≥50
Return loss/VSWR	≤-20 dB/1.22
Intermodulation (dBc)	≤-150/155/160 (with 2×20W)
Impedance (Ω)	50 Ω
Input power (W)	≤200 W(avg.)
Lightning protection	10KA; 10/350μs pulse
Connectors	7/16 DIN Female
Environmental	
Operation temperature	-20 °C to +65 °C
Storage temperature	-40 °C to +85 °C
Relative humidity	5% - 95%
Application	Indoor or outdoor (IP67)

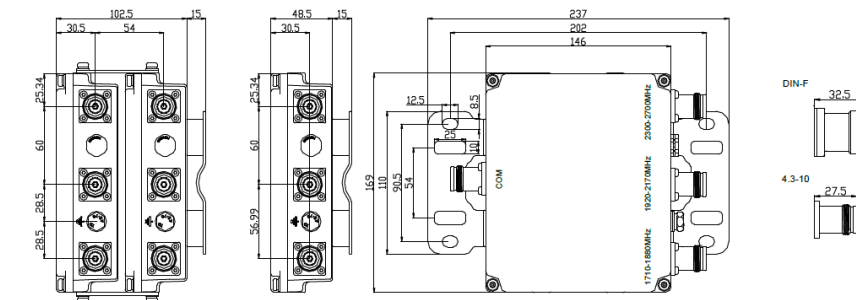
Schematic diagram



Outline Drawing

Double

Single

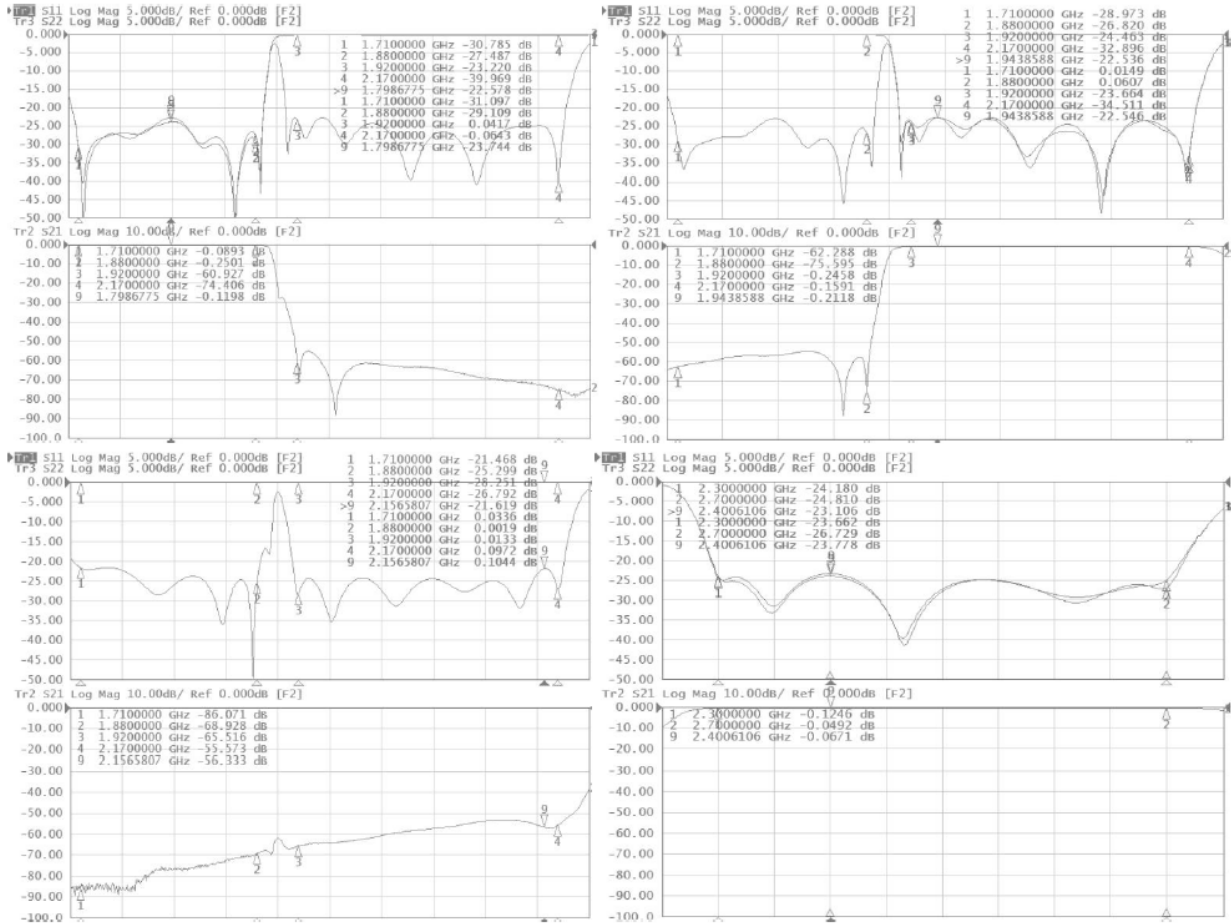


SRFS TELEINFRA

Triplexer Combiner



Typical Attenuation Curves



Plot no 10 Shiv Vihar A Block Najafgarh Nala Road Vikasnagar Uttam Nagar New Delhi-110059

+91-9027232570, +91-8800726650 info@srfsteleinfra.in, info@srfsteleinfra.com

www.srfsteleinfra.in