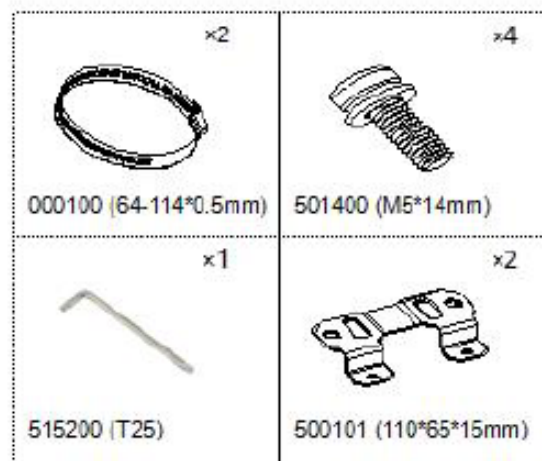


SRFS TELEINFRA



Seven Band Combiner

Electrical & Mechanical Specifications	
Frequency range (MHz)	Port1 698-885 Port2 890-960 Port3 1710-1880 Port4 1920-2170 Port5 2300-2400 Port6 2500-2690 Port7 3300-4000
Insertion loss (dB)	≤ 1.2 @ Port1 - Port2 ≤ 0.5 @ Port3 - Port7
Isolation(dB)	≥ 50
Return loss/VSWR	≤ -20 dB/1.22
Intermodulation (dBc)	≤ -150 (with 2x20W)
Impedance (Ω)	50 Ω
Dimensions	300*195*48
Input power (W)	≤ 100 W(avg.)
Environmental Specifications	
Operation temperature	-20°C to +65 °C
Storage temperature	-40 °C to +85 °C
Relative humidity	5% - 95%
Application	Indoor or outdoor (IP67)



Plot no 10 Shiv Vihar A Block Najafgarh Nala Road Vikasnagar Uttam Nagar New Delhi-110059

+91-9027232570, +91-8800726650 info@srfsteleinfra.in, info@srfsteleinfra.com

www.srfsteleinfra.in

Seven Band Combiner

Outline drawing

Single

