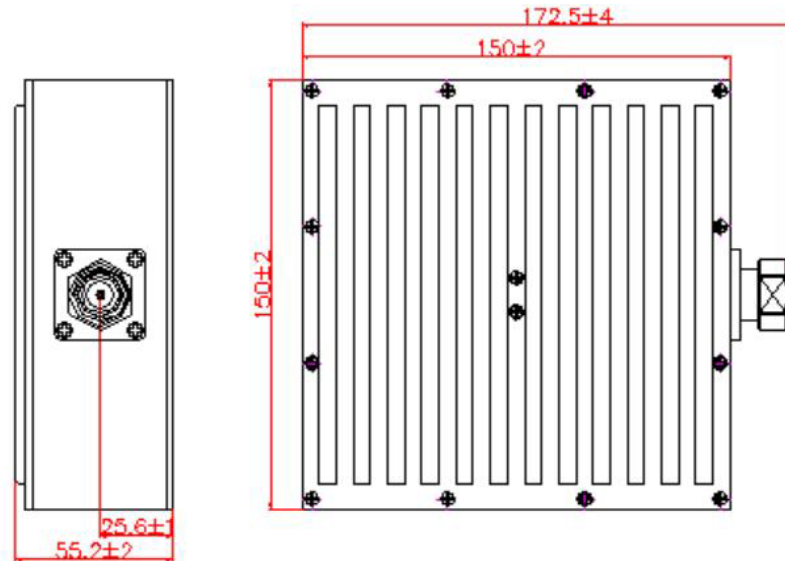


SRFS TELEINFRA



Dummy Load-50W-4.3-10 Male



Electrical Specifications

Frequency(GHz)	DC ~ 4
VSWR	≤1.25
Impedance (Ω)	50
Power (W)	50
PIM (IM3)	≤-165dBc@2×43dBm
Connector type	4.3-10 Male (Customized)
Weight(KG)	1.95
Size (mm)	196*142*77mm
Material	Copper Aluminum
Operating Temperature (°C)	-40~+85
Protection Degree	IP65
Package	Single box
Finish	Black Paint