

Coaxial Isolators SRFS13234A

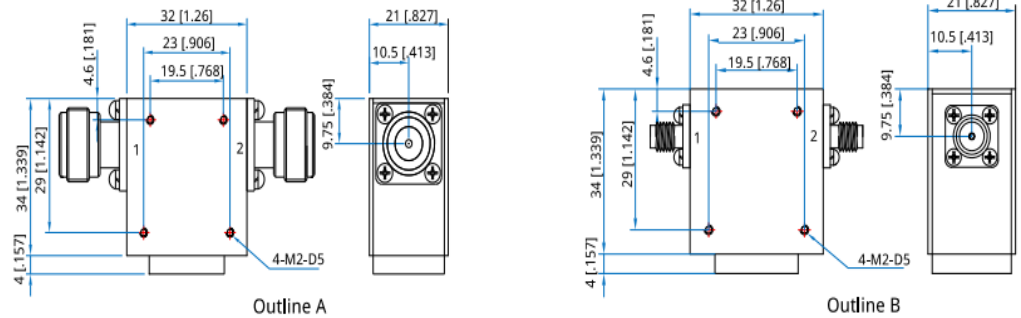
Features:

- * Low VSWR
- * High Isolation
- * Low insertion Loss
- * Low VSWR

Applications:

- * Wireless
- * Laboratory Test
- * Radar

Outline Drawings



Unit: mm [inch] Tolerance: $\pm 0.2\text{mm}$ [$\pm 0.008\text{in}$]

Description

SRFS13234A series Coaxial Isolators cover frequency range 2000~4000MHz. High power, high isolation and low insertion loss make it ideal for a lot of applications like amplifiers, transceivers, etc.

Frequency (MHz)	Bandwidth (MHz)	IL (dB Max.)	Isolation (dB Min.)	VSWR (Max.)	Fwd Power (W Max.)	Rev Power (W)	Connector	Temperature (°C)
2000~3000	1000	0.60	18.0	1.30	100	20	SMA, N	0~+60
2000~4000	2000	0.60	18.0	1.30	100	20	SMA, N	0~+60

Mechanical Specification

Size *1 : 32*34*21mm
1.26*1.339*0.827in
Mounting : 4-M2, depth 5mm