

Coaxial Circulators SRFSC3234A

Features:

- *Low VSWR
- *High Isolation
- *Low insertion Loss
- * Low VSWR

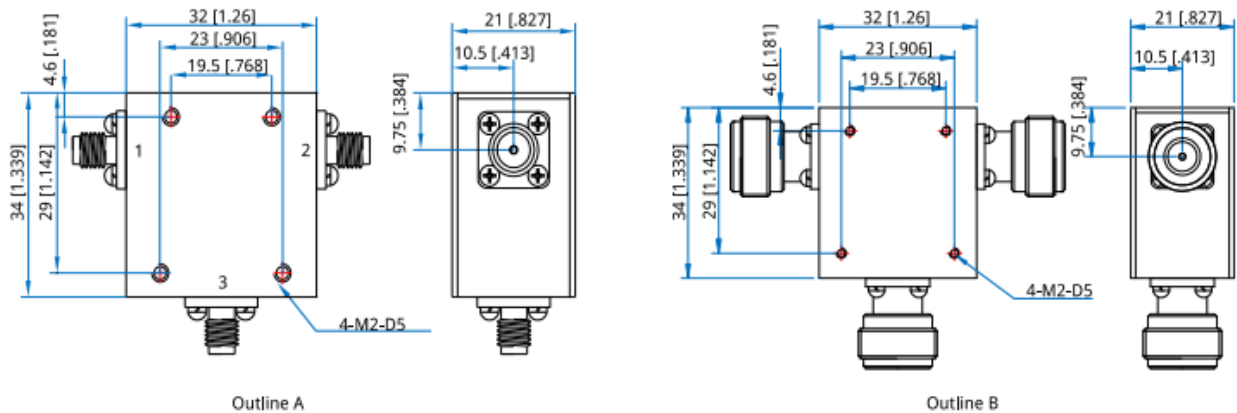
Applications:

- * Wireless
- * Laboratory Test
- * Radar

Description

SRFSC3234A series Coaxial Circulators cover frequency range 2~4GHz. High power, high isolation and low insertion loss make it ideal for a lot of applications like amplifiers, transceivers, etc.

Outline Drawings



Unit: mm [inch] Tolerance: $\pm 0.2\text{mm}$ [$\pm 0.008\text{in}$]

Frequency (MHz)	Bandwidth (MHz)	IL (dB Max.)	Isolation (dB Min.)	VSWR (Max.)	Average Power (W)	Connector	Temperature (°C)
2000~4000	2000	0.60	17	1.35	100	SMA, N	0~+60

Mechanical Specification

Size *1 : 32*34*21mm
1.26*1.339*0.827in
Mounting : 4-M2, depth 5mm