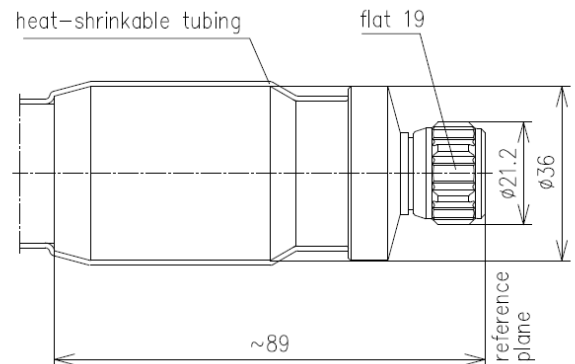


SRFS TELEINFRA



Cable Plug For Radiating Cable 7/8"-50-Type N



Electrical & Mechanical Specifications

Characteristic Impedance	50 Ohm		
Connector Type	N Plug		
Frequency Range	0-1 GHz	1-2.7 GHz	2.7-3.8GHz
VSWR	≤1.04	≤1.06	≤ 1.08
Cable Compatibility	RFS	Radia flex® 78-50 A	
Insulation	PTFE		
Sealing	Silicone rubber, heat-shrinkable adhesive tubing		
Degree of Protection	IP68(mated)		
Standards	IEC 61169-16		
Installation Instructions	M32028		
Weight	Approx. 0.27 kg		
Included in delivery	Installation Instruction		

Material & Plating

Inner Conductor	Copper Alloy	Silver-Plated
Outer Conductor	Copper Alloy	Silver-Plated
	Cube	Silver-Plated
Other Metal Parts	Copper Alloy	Bright-Nickel-Plated