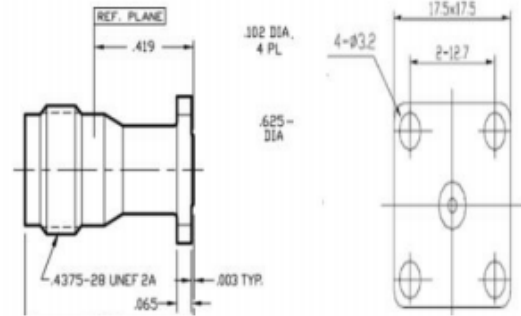


## TNC Female 4H (17.5 Sq.) Flange Solder Pot (SRFS-TNCF4H17.5)



ELECTRICAL&MECHANICAL SPECIFICATIONS		
Characteristics Impedance	50 ohm	
Frequency Range	DC-11GHz	
VSWR	≤1.22 @DC-3GHz; ≤1.35 @DC-6GHz;	
Dielectric Withstanding Voltage	≥2500V RMS,50Hz,at sea level	
Working Voltage	1000Vrms,50 Hz at sea level	
Contact Resistance	Center Contact ≤ 1.0 mΩ Outer Contact ≤ 0.25 mΩ	
Dielectric Resistance	≥5000MΩ	
Durability	Mating cycles ≥500	
MATERIAL&PLATING		
	Material	Plating
Body	Brass	Ni
Insulator	PTFE	-
Center conductor	Phosphor Bronze	Au
ENVIRONMENTAL SPECIFICATIONS		
Temperature Range	- 40°C ~ +155 °C	
Waterproof Rate	IP 68	
RoHS Compliant	Yes	