

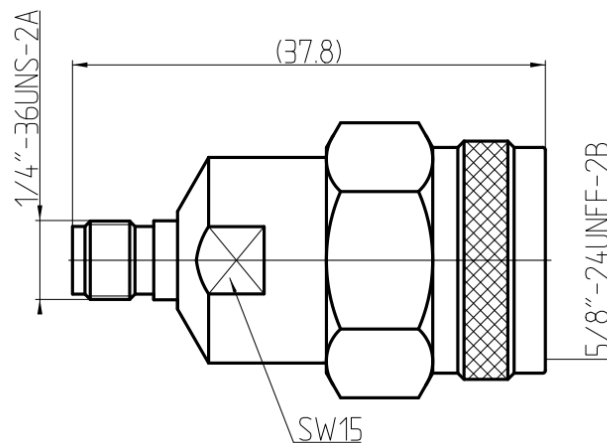
SRFS TELEINFRA



N Male to SMA Female Adaptor DC18GHz (SRFSADPNMSMAFDC18)



ELECTRICAL&MECHANICAL SPECIFICATIONS		
Frequency range	DC-18 GHz	
Connection Type	N Male to SMA Female	
Characteristic impedance	50 Ohm	
VSWR	1.25:1@18GHz	
Attenuation	0.1db max	
Durability	≥500	
MATERIAL&PLATING		
	Material	Plating
Body	Stainless Steel(Su303)	Passivated
Pin Contacts	Beryllium Copper	Gold Plated
Insulators	PEI	
ENVIRONMENTAL SPECIFICATIONS		
Temperature Range	-55°C – +125 °C	
ROHS Compliant	Yes	



Plot no 10 Shiv Vihar A Block Najafgarh Nala Road Vikasnagar Uttam Nagar New Delhi-110059

+91-9027232570, +91-7838349349 ✉ info@srfsteleinfra.in, info@srfsteleinfra.com

www.srfsteleinfra.in