

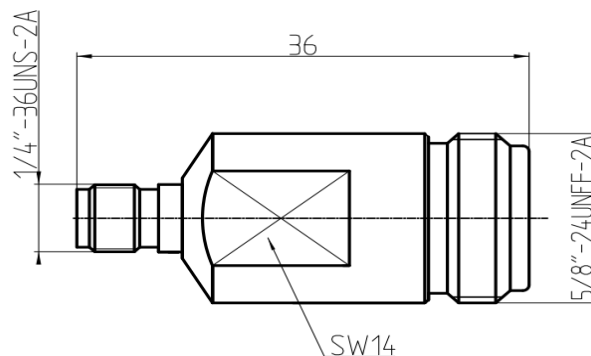
# SRFS TELEINFRA



## N Female to SMA Female Adaptor DC18GHz (SRFSADPNFSMAFDC18)



ELECTRICAL&MECHANICAL SPECIFICATIONS		
Frequency range	DC-18 GHz	
Connector Type	N Female to SMA Female	
Characteristic impedance	50 Ohm	
Max VSWR	1.25:1 @ 18GHz	
Attenuation	0.1 dB max	
Durability	≥500	
MATERIAL&PLATING		
	Material	Plating
Body	Stainless Steel(Su303)	Passivated
Pin Contacts	Beryllium Copper	Gold Plated
Insulators	PEI	
ENVIRONMENTAL SPECIFICATIONS		
Temperature Range	-45°C – +85 °C	
ROHS Compliant	Yes	



Plot no 10 Shiv Vihar A Block Najafgarh Nala Road Vikasnagar Uttam Nagar New Delhi-110059

+91-9027232570, +91-7838349349 ✉ [info@srfsteleinfra.in](mailto:info@srfsteleinfra.in), [info@srfsteleinfra.com](mailto:info@srfsteleinfra.com)

[www.srfsteleinfra.in](http://www.srfsteleinfra.in)