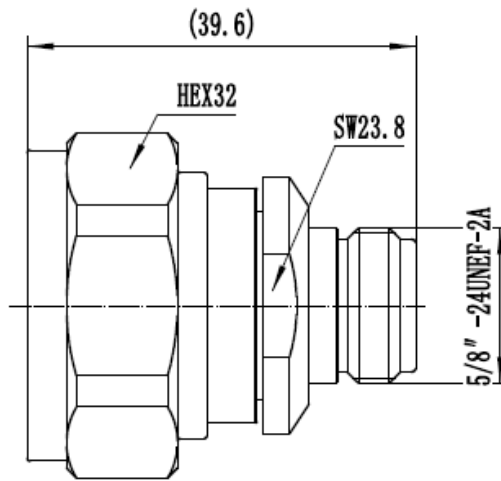


DIN Male to N Female



Electrical Specifications	
Frequency Range	DC-6.0GHz
PIM	< -160dBc (2 X 43dBm)
Insulation Resistance	≥10000 M Ohm
Dielectric Strength	2000V
VSWR	≤ 1.25
Impedance	50 Ohm
Material & Finish	
Pin Contact	Beryllium Copper, Silver Plated
Body	Brass , Suco Plated
Insulators	PTFE
Mechanical Specification	
Operating Temperature	(°C) -45~+125
Durability(mating)	>500
ROHS Compliant	Yes