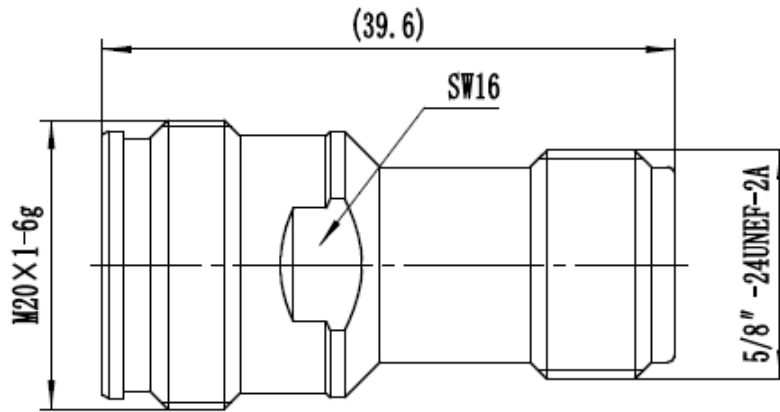


4.3/10 Female to N Female



Electrical Specifications	
Frequency Range	DC-6.0GHz
Insertion Loss	0.3dB max
PIM	< -160dBc (2 X 43dBm)
VSWR	< 1.25:1
Impedance	50 Ohm
Material & Finish	
Pin Contact	Beryllium-Copper , Silver Plated
Body	Brass , Suco Plated
Insulators	PTFE
Mechanical Specification	
Operating Temperature	(°C) -45~+125
Durability(mating)	>500
ROHS Compliant	Yes