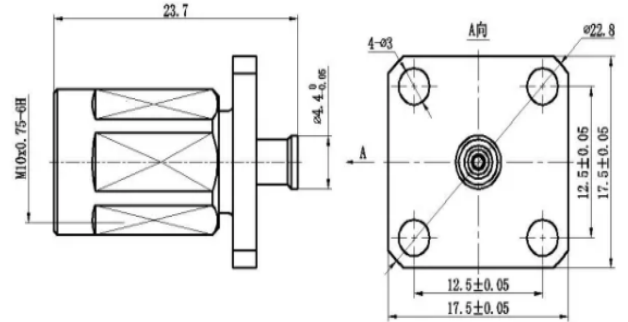


# SRFS TELEINFRA



## NEX10 Male Straight Flange Connector for 047 Cable Soldering



Electrical Specification		
Characteristic Impedance :	50 Ohm	
Frequency Range :	DC-3 GHz	
VSWR :	≤1.1	
PIM3 :	≤-155dBc	
Dielectric Withstanding Voltage :	≥1000V RMS,50Hz,at sea level	
Dielectric Resistance :	≥5000MΩ	
Durability :	Mating cycles ≥500	
Environmental Specification		
Temperature Range :	-40°C~+85°C	
Waterproof(1m water depth, 24hours) :	IP68	
RoHS :	Full RoHS-Compliance	
Material Specification		
Body :	Brass	Tri-Alloy plating
Contact PIN :	Brass	Ag plating
Insulator :	PTFE	Natural



Plot no 10 Shiv Vihar A Block Najafgarh Nala Road Vikasnagar Uttam Nagar New Delhi-110059

+91-9027232570, +91-7838349349 [info@srfsteleinfra.in](mailto:info@srfsteleinfra.in), [info@srfsteleinfra.com](mailto:info@srfsteleinfra.com)

[www.srfsteleinfra.in](http://www.srfsteleinfra.in)