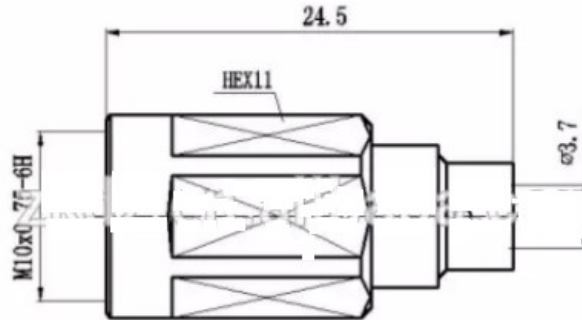


SRFS TELEINFRA



NEX10 Male Straight Connector for RG142 Crimp



Electrical Specification		
Characteristic Impedance :	50 Ohm	
Frequency Range :	DC-3GHz	
VSWR :	≤ 1.15	
Dielectric Withstanding Voltage :	$\geq 1000V$ RMS,50Hz,at sea level	
Dielectric Resistance :	$\geq 5000M\Omega$	
Durability :	Mating cycles ≥ 500	
Environmental Specification		
Temperature Range :	$-40^{\circ}C \sim +85^{\circ}C$	
Waterproof(1m water depth, 24hours) :	IP68	
RoHS :	Full RoHS-Compliance	
Material Specification		
Body :	Brass	Tri-Alloy plating
Contact PIN :	Brass	Ag plating
Insulator :	PTFE	Natural



Plot no 10 Shiv Vihar A Block Najafgarh Nala Road Vikasnagar Uttam Nagar New Delhi-110059

+91-9027232570, +91-7838349349 info@srfsteleinfra.in, info@srfsteleinfra.com

www.srfsteleinfra.in