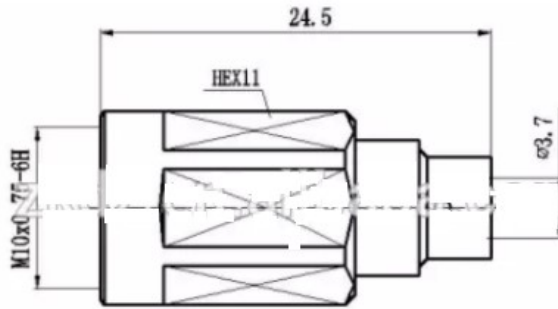


SRFS TELEINFRA



NEX10 Male Straight Connector for RG141 Crimp type



Electrical Specification		
Characteristic Impedance :	50 Ohm	
Frequency Range :	DC-3GHz	
VSWR :	≤1.15	
PIM3 :	≤-160dBc	
Dielectric Withstanding Voltage :	≥1000V RMS,50Hz,at sea level	
Dielectric Resistance :	≥5000MΩ	
Durability :	Mating cycles ≥500	
Environmental Specification		
Temperature Range :	-40°C ~ +85°C	
Waterproof(1m water depth, 24hours) :	IP68	
RoHS :	Full RoHS-Compliance	
Material Specification		
Body :	Brass	Tri-Alloy plating
Contact PIN :	Brass	Ag plating
Insulator :	PTFE	Natural



Plot no 10 Shiv Vihar A Block Najafgarh Nala Road Vikasnagar Uttam Nagar New Delhi-110059

+91-9027232570, +91-7838349349 info@srfsteleinfra.in, info@srfsteleinfra.com

www.srfsteleinfra.in