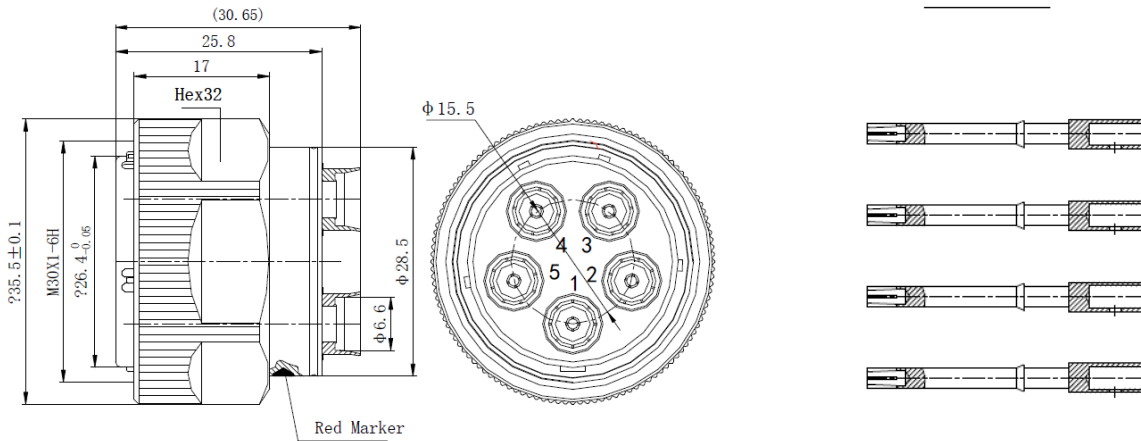


# SRFS TELEINFRA



## Connector MQ5 Plug For SF14 Soldering Type

Center Pin



### For Cable: 1/4" Superflex Cable

Electrical Specification		
Impedance	50 ohm	
Frequency Range	DC-6GHz	
VSWR	≤1.15(DC-2.7GHz) ≤1.20(2.7-4.2GHz) ≤1.35(4.2-6.0GHz)	
Insulation Resistance	≥5000 MΩ	
Dielectric Withstand Voltage	≥1000V RMS,50Hz,at sea level	
Insertion Loss(dB)	≤0.05*√f (GHz)	
PIM3(2X20W)	≤-158dBc	
Contact Resistance	Center Contact≤3mΩ Outer Contact≤2mΩ	
Isolation	≥90dB@2GHz	
Material Specification		
Body :	Brass	Ni-Sn Alloy
Slotted Contacts:	Beryllium	Ag
Insulator :	PTFE	-
Center Pin	Beryllium	Ag
Nut	Brass	Ni-Sn Alloy
Environmental Specification		
Mating torque	≥25 N*m	
Temperature Range	-40°C~+125°C	
Environmental Compliance	Full RoHS compliance	
Salt-fog Test	720h for Ni-Sn Alloy Parts 48h for other parts	
Water Proof	IP68	