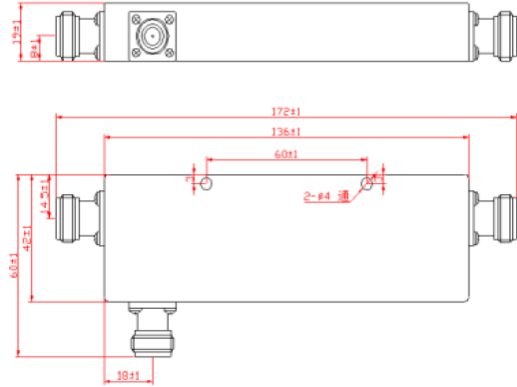


Directional Coupler



ELECTRICAL SPECIFICATIONS

Frequency	698MHz-4000MHz					
VSWR	≤1.3					
Coupling	5dB	6dB	7dB	10 dB	15dB	20dB
In-band ripple		±1.0dB		±1.2		
Insertion loss	≤2.1	≤1.7	≤1.45	≤0.8	≤0.5dB	≤0.4dB
Directivity	≥18 dB					
Power	≤200W					
PIM3	≤-150dBc@+43dBm×2					
Operating Temperature	-20~+55°C					
Connector	N-F					
Impedance	50Ω					