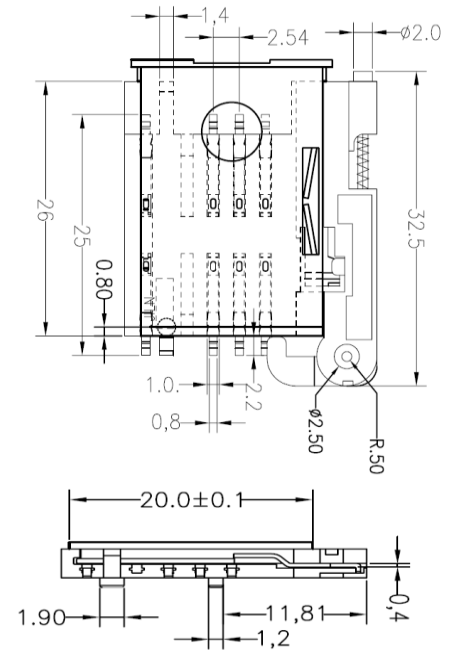


# SRFS TELEINFRA

## 8 Pin SIM CARD HOLDER PUSH TYPE



Electrical & Mechanical Specifications	
Current Rating	3 Amps
Insulator body	L C P
Insulator Resistance	500 MΩ Min
Dielectric Withstanding	DC 500V
Contact Resistance	20MΩ Max
Durability	100 gf Cycles Min
Contact Material	Copper Alloy
Contact Plating	Au or SN Over Ni
Operating Temperature	-55°C to +105°C
Max. Processing	240°C for 30-60 seconds 260°C for 10 seconds

66



Plot no 10 Shiv Vihar A Block Najafgarh Nala Road Vikasnagar Uttam Nagar New Delhi-110059

+91-9027232570, +91-7838349349 ✉ [info@srfsteleinfra.in](mailto:info@srfsteleinfra.in), [info@srfsteleinfra.com](mailto:info@srfsteleinfra.com)

[www.srfsteleinfra.in](http://www.srfsteleinfra.in)