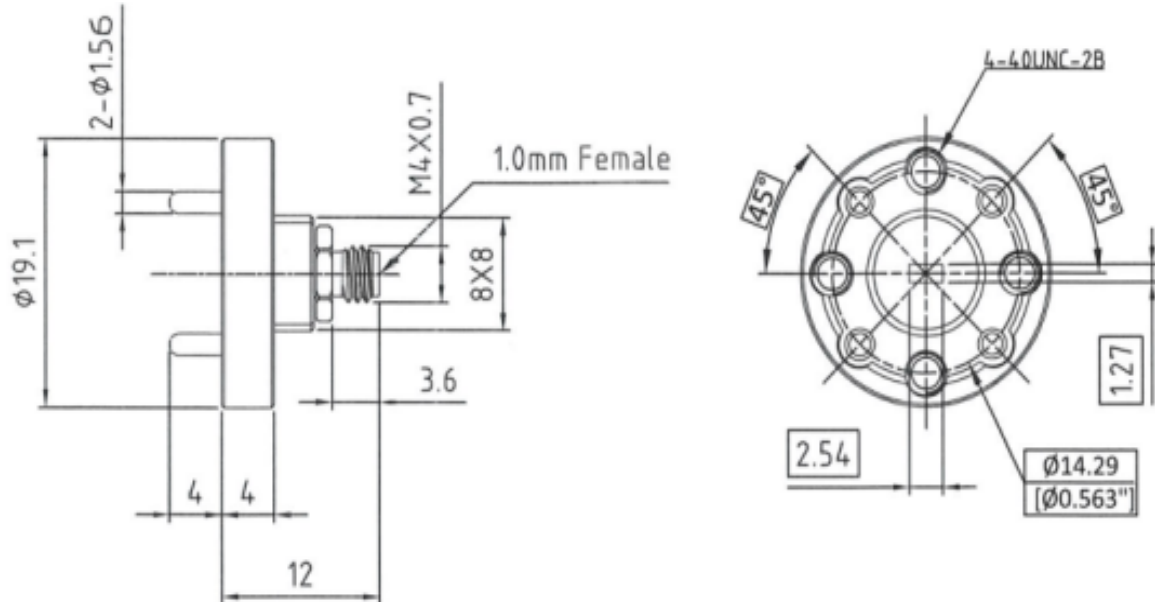


Waveguide to Coaxial Adapter (End-Launch) SRFS900WECA1.0KPC



Mechanical Specifications

Waveguide type	WR10
Material	Copper
Flange type	FUGP900
Connector Type	1.0 Female
Temp range	-30°C to +70°C
Finish	Gold plating

Electrical Specifications

Frequency Range	75-110 GHz
VSWR (Max)	1.50
Insertion loss (Max)	1.30 dB