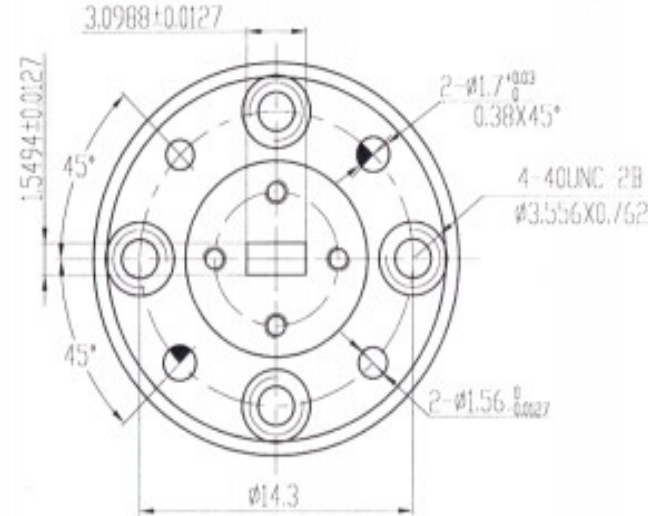
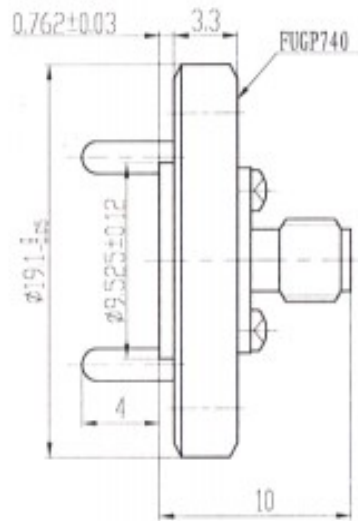


Waveguide to Coaxial Adapter (End-Launch) SRFS740WECA1.0KPC



Mechanical Specifications	
Waveguide type	WR12
Material	Copper
Flange type	FUGP740/(UG387/U)
Connector Type	1.0 Female
Finish	Gold plating
Electrical Specifications	
Frequency Range	60.5-91.9 GHz
VSWR (Max)	1.6
Insertion loss (Max)	0.5 dB